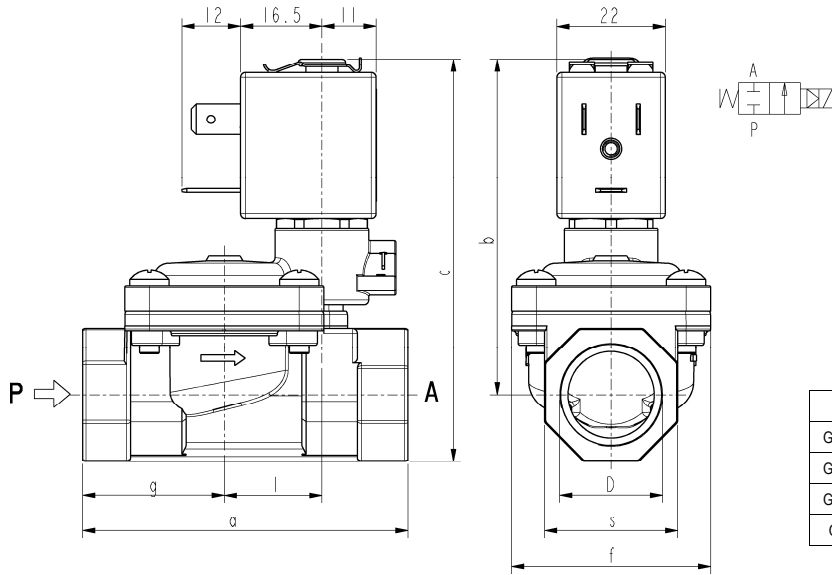




SOLENOID VALVE
2/2- NC (Normally closed)
 Pilot operated
G3/8 - G1

L182
STAINLESS STEEL



D	a	b	c	f	g	l	s
G 3/8	60	66	77	40	25,5	20	22
G 1/2	66	68	82	40	29	20	27
G 3/4	79	72,5	89	50	35,5	24,5	33
G 1	105	85	106	71	46	28	42

► **GENERAL FEATURES**

Diaphragm valve, pilot operated, having full orifice.
 Suitable to shut off liquid and gaseous fluids (verify the compatibility of fluid with material in contact).

► **TECHNICAL FEATURES**

Maximum allowable pressure (PS)	20bar
Opening time	from ~300ms to ~1500ms
Closing time	from ~1000ms to ~2000ms
Fluid temperature	-10°C +90°C (NBR) 0°C +130°C (FPM) -10°C +140°C (EPDM)
Max viscosity	5°E (~37 cStokes o mm ² /s)

► **MATERIALS IN CONTACT WITH FLUID**

Body	Stainless steel AISI 316L
Sealing	NBR or FPM or EPDM
Internal components	Stainless steel
Seat	Stainless steel AISI 316L
Core tube	Stainless steel
Shading coil	Copper

► **COIL**

	ZB12A	ZB14A
Approval	UL and CSA	
Encapsulation material	PET fiberglass reinforced	
Insulation class	F (155°C)	H (180°C)
Ambient temperature	-10°C +60°C	-10°C +75°C
Continuous duty	ED 100%	
Electric connection	DIN 46340- 3 poles plug connector	
Protection degree	IP 67 (EN 60529) with plug connector	
Voltages	DC 12-24V (+10% -5%) AC 24V/50-60Hz - 115V/50Hz - 230V/50-60Hz (+10% -15%) (Other voltages and frequencies on request)	
	ZB12Y	ZB14Y
Approval	UL	
Voltages	220-230V/50Hz 208-240V/60Hz (+10% -15%)	

On request

Approval	
Voltages	AC

Port size ISO 228	Orifice size (mm)	Differential pressure (bar)						Kv (m ³ /h)	Series and type			Power absorption				Sealings	Notes	Weight (kg)
		Δp min	Δp max				Valve		Valve with manual override	Coil	AC (VA)			DC				
			Gases		Liquids						Inrush VA	Holding						
			AC	DC	AC	DC						VA	VA		W			
3/8	13,5	0,35	16	16	16	16	2,5	L182(*)09	L182(*)10	ZB12A	12	6	4	5,5	(*) = B (NBR)	1	0,30	
1/2			(12)	(12)	(12)	(12)	3,8										0,35	
3/4	18		12	12	12	12	5									(*) = V (FPM)	2	0,50
1	24		(10)	(10)	(10)	(10)	12											(*) = D (EPDM)

► **NOTES**

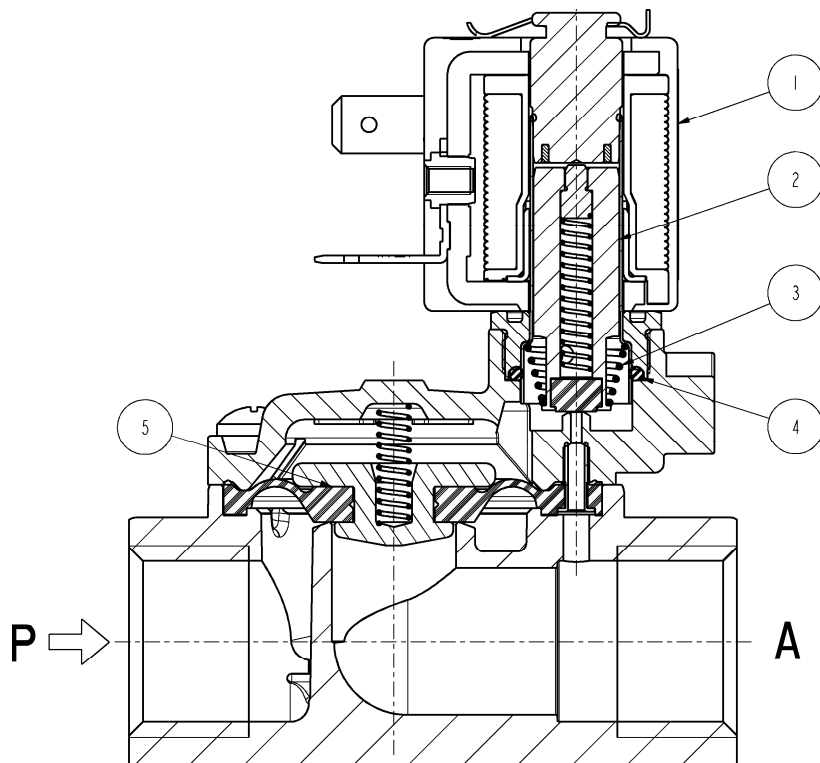
- Sealings: B(NBR) = Nitrile-butylene elastomer V(FPM) = Fluoro-carbon elastomer D(EPDM)=Ethylene-propylene elastomer (WRAS/KTW certified compound)
- Operation with gaseous media, at high pressure without any outlet restriction, can reduce the diaphragm life.
- On request coil in class H (ZB14A – see § “COIL”)
- The bracketed values of Δp max are related to valves with FPM seals.
- 1 - Low power consumption coil on request ZB12C or ZB14C (3,5 VA in AC – 3W in DC): Δp max = 12 bar
- 2 - Low power consumption coil on request ZB12C or ZB14C (3,5 VA in AC – 3W in DC): Δp max = 8 bar

L182

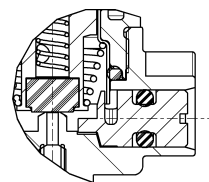
STAINLESS STEEL

► SPARE PARTS

L182B-V-D-09



L182B-V-D-10



Kit description

Kit P.N.

Consisting of:

Core kit	L182B-V		G3138201	Core kit pos.2 Core return spring pos. 3 O-Ring guide assembly pos. 4
	L182D		G3138202	
Diaphragm assembly	L182B	3/8-1/2	298593-003R	Diaphragm assembly pos.5
		3/4	298594-003R	
		1	298592-003R	
	L182V	3/8-1/2	298593-001R	
		3/4	298594-001R	
		1	298592-001R	
	L182D	3/8-1/2	298593-002R	
		3/4	298594-002R	
		1	298592-002R	
Coil		ZB12	Coil pos.1	
		ZB14		

► INSTALLATION

- Solenoid valve can be mounted in any position; vertical with coil upwards preferred.