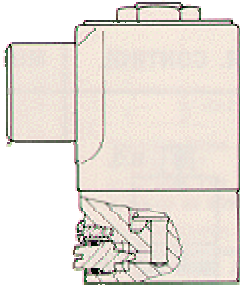


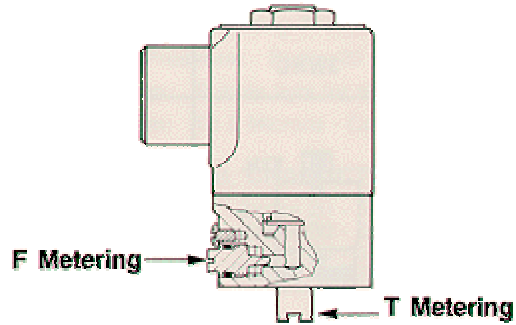
Peter Paul Valve Body Options

OPTION T

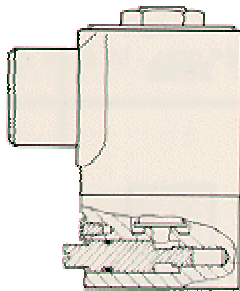
Series 20
METERING
of 3/64 - 1/8 ORIFICE VALVES



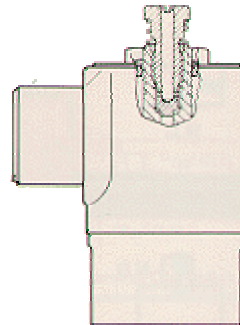
Series 50
METERING
of 1/32 - 1/8 ORIFICE VALVES



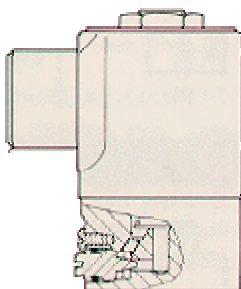
OPTION F
METERING -
SERIES 20, 5/32 - 1/4 ORIFICE
SERIES 70, 3/32 - 1/4 ORIFICE



OPTION U
FLOW METERED AT EXHAUST
PORT OUTLET



OPTION W
METERED BYPASS



OPTION Y -
MANUAL VALVE OVERRIDE
MAY BE OPERATED MANUALLY
BY ROTATING STEM 90°

