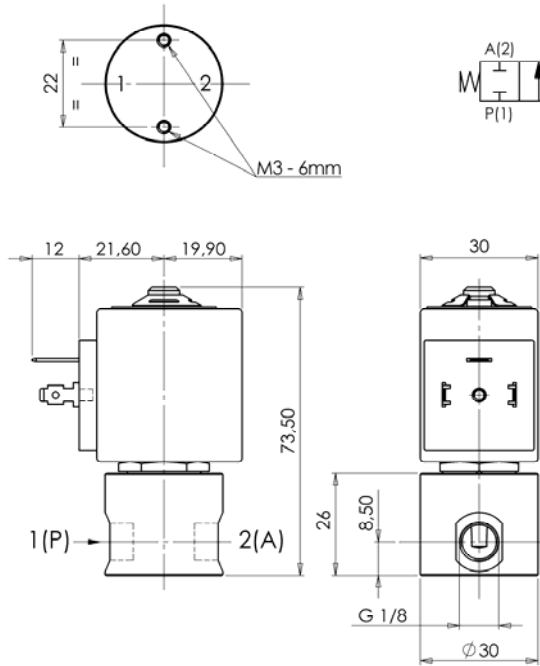




**SOLENOID VALVE - DRY**  
**2/2 - NC (Normally closed)**  
**Direct acting - Total isolation**  
**G 1/8**

**D105**



► **GENERAL FEATURES**

Total isolation micro solenoid valve: the actuator is totally isolated from the medium so that the wetted parts are just the body and the diaphragm. Possibility of disassembling for inspection.

The working pressure of the valve is function of differential pressure between inlet and outlet; see the drawing overleaf.

Suitable to shut off liquid and gaseous fluids (verify the compatibility of fluid with materials in contact).

► **TECHNICAL FEATURES**

Opening time	~20ms
Closing time	~20ms
Fluid temperature	-10°C +100°C
Max viscosity	5°E (~37 cStokes or mm <sup>2</sup> /s)

► **MATERIALS IN CONTACT WITH FLUID**

Body	PVDF (Polyvinylfluoride)
Sealing	EPDM or VMQ or FPM

► **COIL**

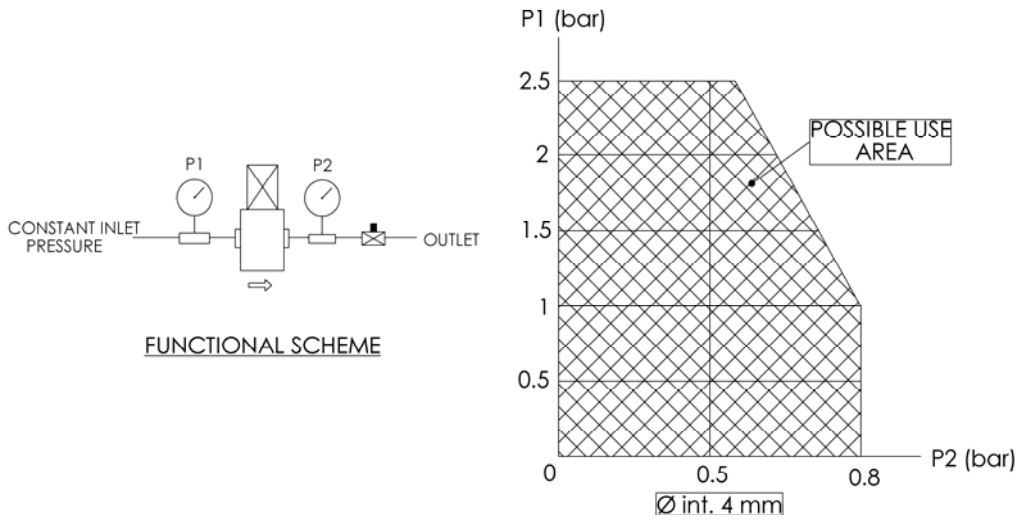
Continuous duty	ED 100%
Encapsulation material	PET (polyethylene terephthalate) fiberglass reinforced
Coil insulation class	F (155 °C)
Ambient temperature	-10 C° +60 °C
Electric connenctions	DIN 46340 - 3 poles connector (DIN 43650)
Protection degree	IP 65 (EN 60529) with plug connector
Voltages DC	12-24V (+10% -5%)
AC	24V/50Hz-110V/50Hz (120V/60Hz)-230V/50Hz (+10% -15%).
	(Other voltages and frequencies on request).

Port size ISO 228	Orifice size (mm)	Differential pressure (bar)						Kv (m <sup>3</sup> /h)	Series and type		Power absorption			Sealings	Notes	Weight (kg)
		Δp min	Δp max				Valve		Coil	AC (VA)		DC (W)				
			Gases		Liquids					Inrush	Holding					
			AC	DC	AC	DC										
G 1/8	4	0	2,5	2,5	2,5	2,5	0,32	D105D28	ZA30A	23	14	9	EPDM	-	0,210	
								VMQ					1			
								FPM					-			

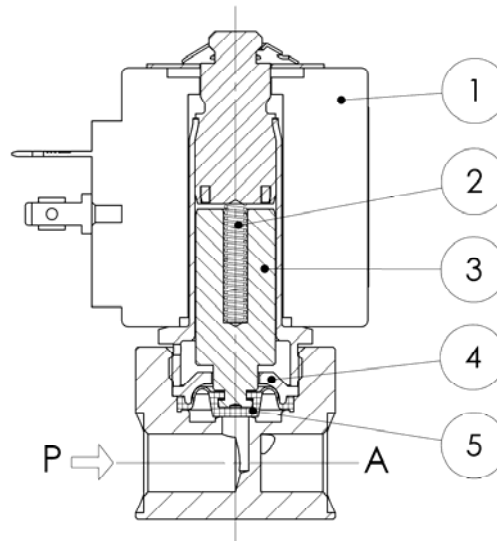
► **NOTES**

- Sealings : EPDM = Ethylene-propylene elastomer FPM = Fluoro-carbon elastomer VMQ = Silicone elastomer  
 1- Model available on request only: ask for minimum quantity.

# D105



## ► SPARE PARTS



## Kit description

Diaphragm kit

D105D28  
D105S28  
D105V28

## Kit P.N.

G3067201  
G3067202  
G3067203

## Consisting of:

Core return spring pos.2  
Core pos.3  
Spacing collar pos.4  
Diaphragm pos.5

Coil

ZA30A

Coil pos. 1

## ► MOUNTING

- Solenoid valve can be mounted in any position.