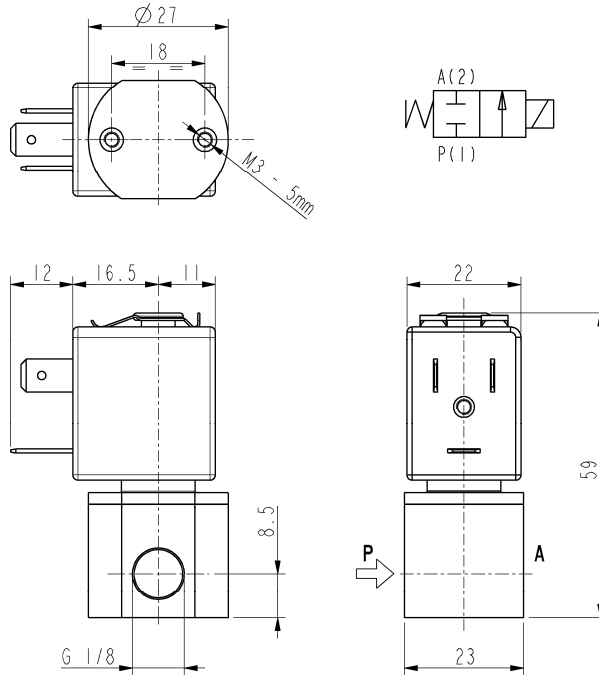




SOLENOID VALVE - DRY
2/2 - NC (Normally closed)
 Direct acting - Total isolation
G 1/8

D106



► **GENERAL FEATURES**

Total isolation solenoid valve: the operator is totally isolated from the medium so that the wetted parts are just the body and the diaphragm.
 Reduced internal volumes: ~0,07 ml (0,07 c.c.).
 Possibility of disassembling for inspection.
 The working pressure of the valve is function of differential pressure between inlet and outlet; see the drawing overleaf.
 Suitable to shut off liquid fluids (verify the compatibility of fluid with materials in contact).

► **TECHNICAL FEATURES**

Maximum allowable pressure (PS) 4 bar
 Opening time from ~40ms to ~80ms
 Closing time from ~40ms to ~80ms
 Fluid temperature -10°C +100°C
 Max viscosity 5°E (~37 cStokes or mm²/s)

► **MATERIALS IN CONTACT WITH FLUID**

Body Stainless steel AISI 316
 Sealing PTFE

► **COIL**

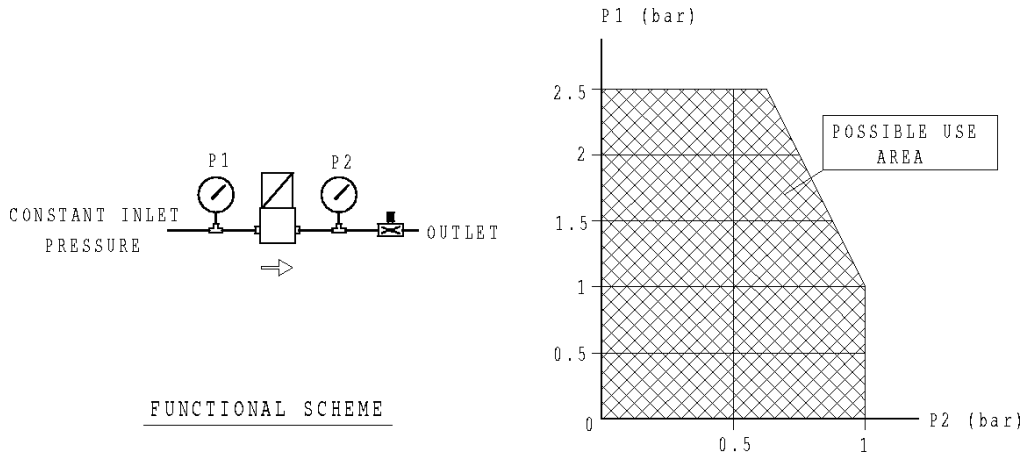
Continuous duty ED 100%
 Encapsulation material PA (polyamide) fiberglass reinforced
 Coil insulation class F (155 °C)
 Ambient temperature -10 C° +60 °C
 Electric connenctions DIN 46340 - 3 poles connector
 Protection degree IP 65 (EN 60529) with plug connector
 Voltages DC 12-24V (+10% -5%)
 (Other voltages on request).

Port size ISO 228	Orifice size (mm)	Differential pressure (bar)				Kv (m ³ /h)	Series and type		Power absorption			Sealings	Notes	Weight (kg)	
		Δp min	Δp max		Valve		Coil	AC (VA)		DC (W)					
			Gases	Liquids				Inrush	Holding						
G 1/8	2	0	-	-	-	2,5	0,08	D106T09	ZB10A	-	-	5,5	PTFE	-	0,150

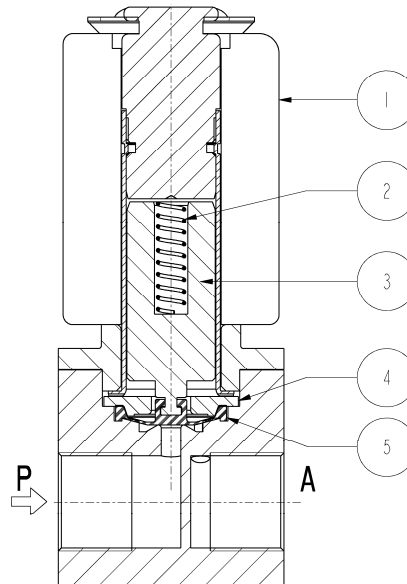
► **NOTES**

- Sealings : PTFE = Polytetrafluorethylene

D106



► SPARE PARTS



Kit description

Diaphragm kit

Coil

Kit P.N.

G3043401

ZB10

Consisting of:

Core return spring pos.2
Core pos.3
Spacing collar pos.4
Diaphragm pos.5

Coil pos. 1

► MOUNTING

- Solenoid valve can be mounted in any position.