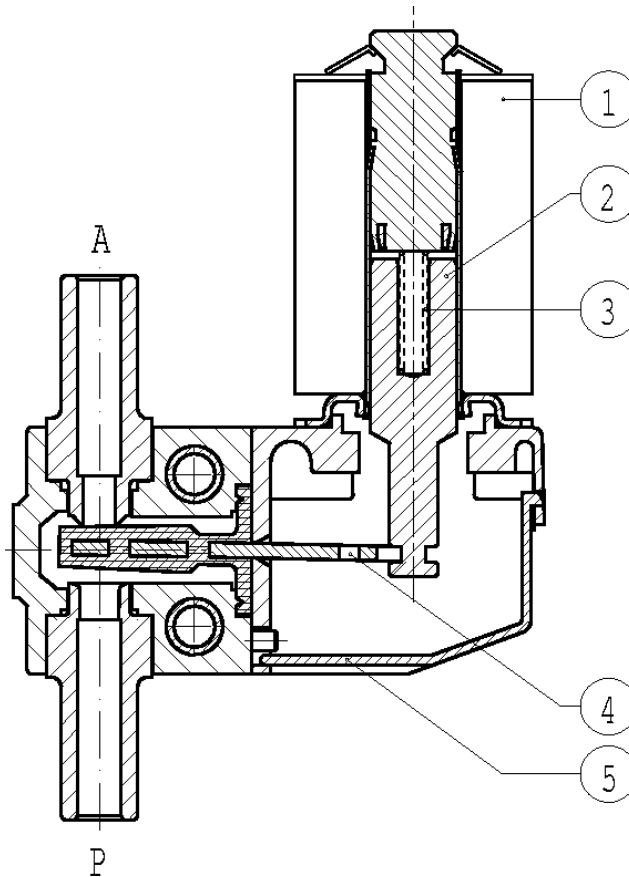




# D118

## ► SPARE PARTS



Kit description	Kit P.N.	Consisting of:
Core kit	G3049401	Core pos.2 Core return spring pos.3
Lever seal	D118D03 D118S03 D118V03 2815206R 2815202R 2815203R	Lever seal pos.4
Cover kit	G2883901	N. 10 cover pos. 5
Coil	Z610A	Coil pos. 1

## ► MOUNTING

- Solenoid valve can be mounted in any position.