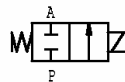
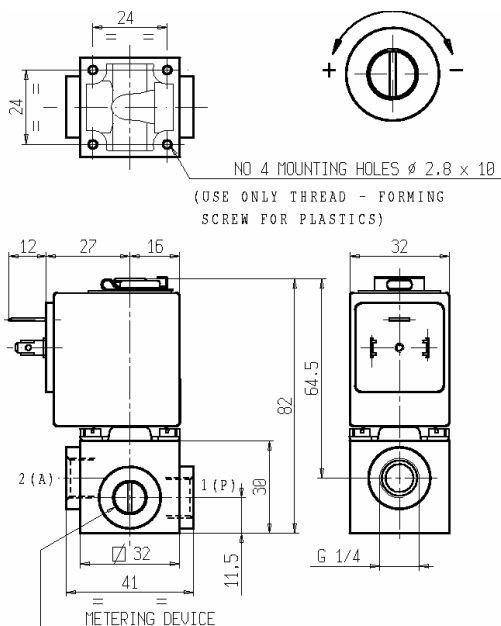




**SOLENOID VALVE - DRY**  
**2/2 - NC (Normally closed)**  
 Direct acting - Total isolation  
**G 1/4**

**D130**



**► GENERAL FEATURES**

Direct acting, total isolation solenoid valve: the actuator is totally isolated from the medium so that the wetted parts are just the body and the diaphragm.

Possibility of disassembling for inspection.

Core duly coated by PTFE (polytetrafluoroethylene) based self lubricating material.

Suitable to shut off liquid and gaseous fluids (verify the compatibility of fluid with materials in contact).

Not suitable for use with dangerous fluids listed in Group 1, therefore they are free from CE marking in conformity with article 3 § 3 of the European Directive 97/23/EC (Pressure Equipment Directive).

**► TECHNICAL FEATURES**

Maximum allowable pressure (PS)	5 bar
Opening time	~ 20 ms
Closing time	~ 20 ms
Fluid temperature	-10°C +80°C
Max viscosity	5°E (~37 cStokes o mm <sup>2</sup> /s)

**► MATERIALS IN CONTACT WITH FLUID**

Body	PP (polypropylene) fibreglass reinforced
Sealing	FPM

**► COIL**

Continuous duty	ED 100%
Coil impregnation	Polyester resin
Encapsulation material	PET (polyethylene terephthalate) fibreglass reinforced
Insulation class	F(140°C)
Ambient temperature	-10 °C +60 °C
Electric connenctions	DIN 46340 - 3 poles connector (DIN 43650)
Protection degree	IP 65 (EN 60529) with plug connector
Voltages	DC 12-24V (+10% -5%)
	AC 24V/50Hz - 110V/50Hz (120V/60Hz) - 230V/50Hz (+10% -15%)
	(Other voltages and frequencies on request)

**NON STANDARD**

Port size ISO 228	Orifice size (mm)	Differential pressure (bar)						Kv (m <sup>3</sup> /h)	Series and type		Power absorption			Sealings	Notes	Weight (kg)
		Δp min	Δp max				Valve		Coil	AC (VA)		DC (W)				
			Gases		Liquids					Inrush	Holding					
			AC	DC	AC	DC										
G 1/4	2,3	0	4	4	4	4	0,13	D130V03	Z530A	23	14	9	FPM	1 - 2	0,290	
	4,5		1	1	1	1										0,45

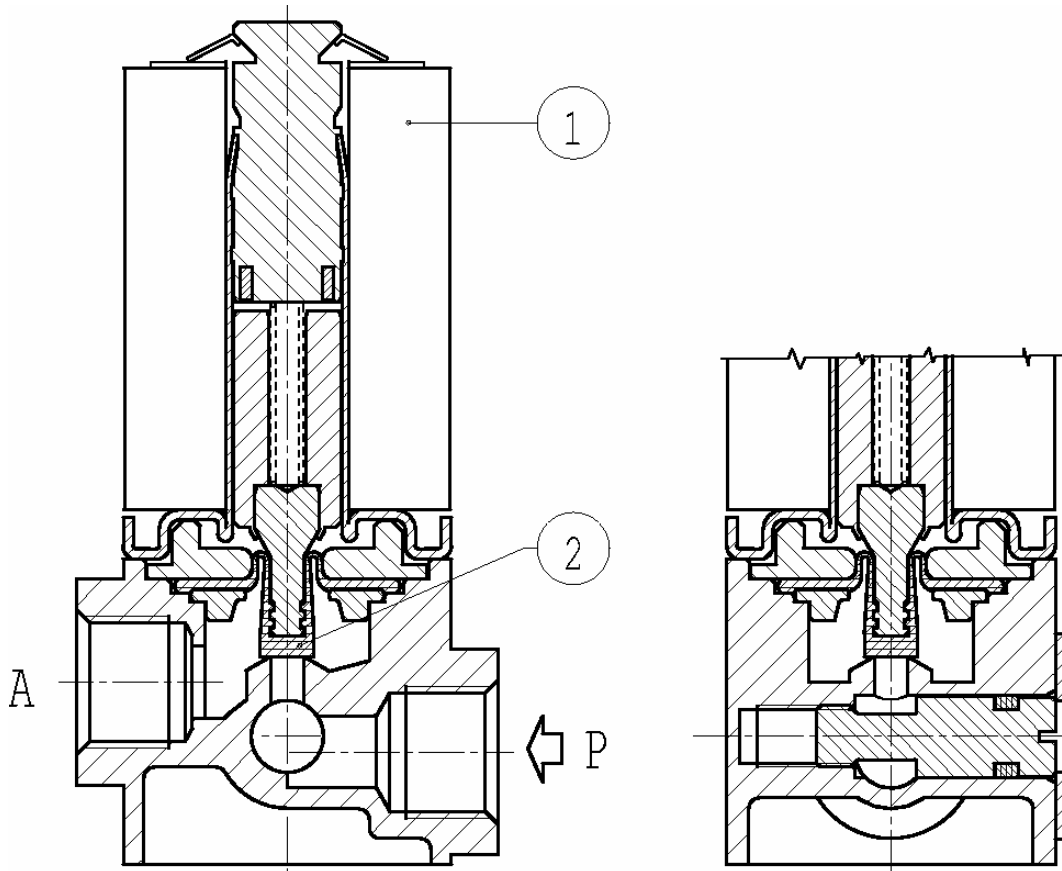
**► NOTES**

- Sealings : FPM = Fluoro-carbon elastomer
- 1 - Maximum pressure 1 bar in bi-directional operation.
- 2 - Fitted with metering device adjusting flow between 10% and 100%: multi-turns adjustment.

# D130

NON STANDARD

## ► SPARE PARTS



### Kit description

Diaphragm kit |  $\varnothing 2,3$   
|  $\varnothing 4,5$

Coil

### Kit P.N.

G2945201  
G2945101

Z530A

### Consisting of:

Diaphragm pos.2

Coil pos. 1

## ► INSTALLATION

- In case of disassembling for usual maintenance, the fixing screws have to be tightened at 1 Nm max torque.
- Solenoid valve can be mounted in any position; vertical with coil upwards preferred.

THE VALIDITY OF REPORTED DATA IS REFERRED TO THE DATE OF ISSUE. POSSIBLE UPDATING ARE AVAILABLE ON REQUEST.