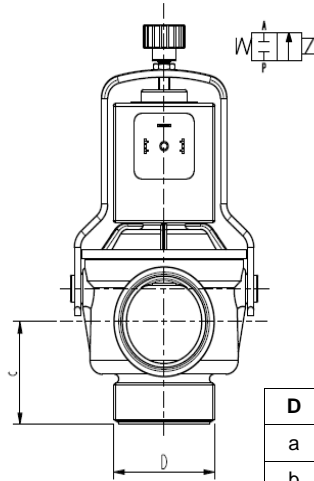
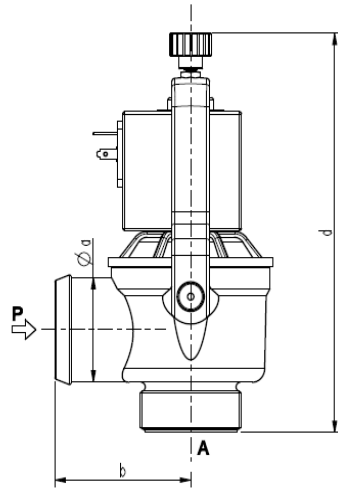




**SOLENOID VALVE - DRY**  
**2/2 - NC (Normally closed)**  
 Direct acting - Total isolation  
**G 1 1/2 - 2**

**D137**



D	1 1/2	2
a	46	60
b	65	84
c	45	59
d	177	189



► **GENERAL FEATURES**

Direct acting, total isolation solenoid valve: the actuator is totally isolated from the fluid so that the wetted parts are just the body and the bellow plug.

Possibility of disassembling for inspection.

Particularly suitable for fast drain of tanks.

Suitable to shut off liquid and gaseous fluids (verify the compatibility of fluid with materials in contact).

► **TECHNICAL FEATURES**

Maximum allowable pressure (PS) 0,3 bar  
 Opening time ~400ms  
 Closing time ~400ms  
 Fluid temperature -10°C +90°C (NBR)  
 0°C +130°C (FPM)  
 Max viscosity 5°E (~37 cStokes or mm<sup>2</sup>/s)

► **MATERIALS IN CONTACT WITH FLUID**

Body PPS (Polyphenilsulfure).  
 Sealing NBR or FPM

► **COIL**

Discontinuous duty ED 60% with max cycle time 40min.  
 Encapsulation material PET (polyethylene terephthalate) fiberglass reinforced  
 Coil insulation class F (140°C) – On request class H (165°C)  
 Ambient temperature -10°C +60°C  
 Electric connenctions DIN 46340 – 3 poles connectors (EN175301-803)  
 Protection degree IP 65 (EN 60529) with plug connector  
 Voltages AC 24V/50Hz - 110V/50Hz (120V/60Hz) - 230V/50Hz (+10% -15%)  
 (Other voltages and frequencies on request).

Port size ISO 228	Orifice size (mm)	Differential pressure (bar)				Kv (m <sup>3</sup> /h)	Series and type		Power absorption			Sealings	Notes	Weight (kg)	
		Δp min	Δp max				Valve	Coil	AC (VA)		DC (W)				
			Gases		Liquids				Inrush	Holding					
			AC	DC	AC										DC
G 1 1/2	36	0	0,15	-	0,15	-	D137B08	Z923G	150	46	-	NBR	-	0,980	
G 2	43													34	1,040
G 1 1/2	36						D137V08							20	0,980
G 2	43													34	1,040

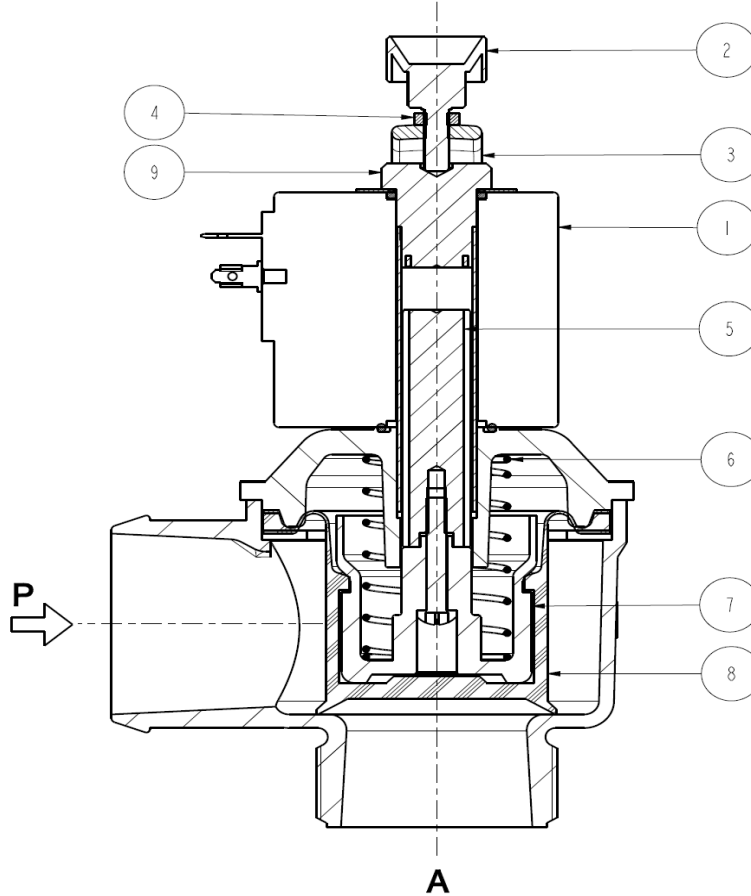
► **NOTES**

- Sealings : NBR = Nitrile-butylene elastomer FPM = Fluoro-carbon elastomer  
 The Δp max, indicated in the table, has to be understood with zero pressure downstream the valve.

1103/1111

# D137

## ► SPARE PARTS



### Kit description

### Kit P.N.

### Consisting of:

Clamp kit	G3143701	Clamp pos. 3 Screw pos. 2 Nut pos. 4
Plunger return spring kit	G2237301	N° 10 Plunger return springs pos.6
Core kit	2254301R	Core pos. 5 Bellow plug stiffener pos. 7
Bellow plug	D137B08 D137V08	Bellow plug pos. 8
Guide assembly	294079-001R	Guide assembly pos. 9
Coil	Z923G	Coil pos. 1

## ► INSTALLATION

- Solenoid valve must be mounted vertical, with coil upwards.
- In case of disassembling for usual maintenance, or for coil replacing, the screw (pos.1) have to be tightened at  $3 \pm 3,5$  Nm torque.

THE VALIDITY OF REPORTED DATA IS REFERRED TO THE DATE OF ISSUE. POSSIBLE UPDATING ARE AVAILABLE ON REQUEST.