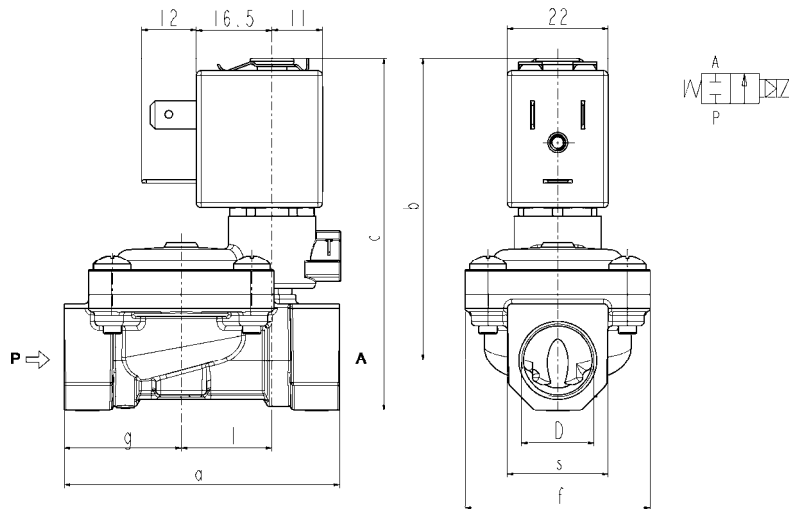




**SOLENOID VALVE**  
**2/2- NC (Normally closed)**  
**Pilot operated**  
**G 3/8 ÷ G 1**

**L182**



D	a	b	c	f	g	l	s
G 3/8	60	66	77	40	25,5	20	22
G 1/2	66	68	82	40	29	20	27
G 3/4	79	72,5	89	50	35,5	24,5	33
G 1	105	85	106	71	46	28	42

► **GENERAL FEATURES**

Diaphragm valve, pilot operated, having full orifice.  
 Suitable to shut off liquid and gaseous fluids (verify the compatibility of fluid with material in contact).

► **TECHNICAL FEATURES**

*Maximum allowable pressure (PS)* 20bar  
*Opening time* from ~300ms to ~1500ms  
*Closing time* from ~1000ms to ~2000ms  
*Fluid temperature* -10°C +90°C (NBR)  
 0°C +130°C (FPM)  
 -10°C +140°C (EPDM)  
*Max viscosity* 5°E (~37 cStokes o mm<sup>2</sup>/s)

► **MATERIALS IN CONTACT WITH FLUID**

*Body* Brass  
*Sealing* NBR or FPM or EPDM  
*Internal components* Brass and stainless steel  
*Seat* Brass  
*Core tube* Stainless steel  
*Shading coil* Copper

► **COIL**

*Approval*  
*Encapsulation material*

*Insulation class*  
*Ambient temperature*

*Continuous duty*  
*Electric connection*

*Protection degree*

*Voltages* DC  
 AC

\* **On request**

*Approval*  
*Voltages* AC

ZB10A	ZB12A *	ZB14A *
/	UL and CSA	UL and CSA
PA fiberglass reinforced	PET fiberglass reinforced	PET fiberglass reinforced
F (155°C) -10°C +60°C	F (155°C) -10°C +60°C	H (180°C) -10°C +75°C
ED 100%		
DIN 46340- 3 poles plug connector		
IP 65 (EN 60529) with plug connector	IP 67 (EN 60529) with plug connector	IP 67 (EN 60529) with plug connector
12-24V (+10% -5%)		
24V/50-60Hz - 115V/50Hz - 230V/50-60Hz (+10% -15%)		
(Other voltages and frequencies on request).		
/	ZB12Y	ZB14Y
/	UL	UL
/	220-230V/50Hz	208-240V/60Hz

Port size ISO 228	Orifice size (mm)	Differential pressure (bar)				Kv (m <sup>3</sup> /h)	Series and type			Power absorption				Sealings	Notes	Weight (kg)	
		Δp min	Δp max				Valve	Valve with manual override	Coil	AC (VA)		DC					
			Gases		Liquids					Inrush VA	Holding						
			AC	DC	AC						DC		VA				W
3/8	13,5	0,35	16	16	16	16	L182(*)01	L182(*)02	ZB10A ZB12A	12	6	4	5,5	(*) = B (NBR)	1-3	0,32	
1/2			(12)	(12)	(12)	(12)										0,38	
3/4	18		12	12	12	12									(*) = V (FPM)	2-3	0,52
1	24		(10)	(10)	(10)	(10)											(*) = D (EPDM)

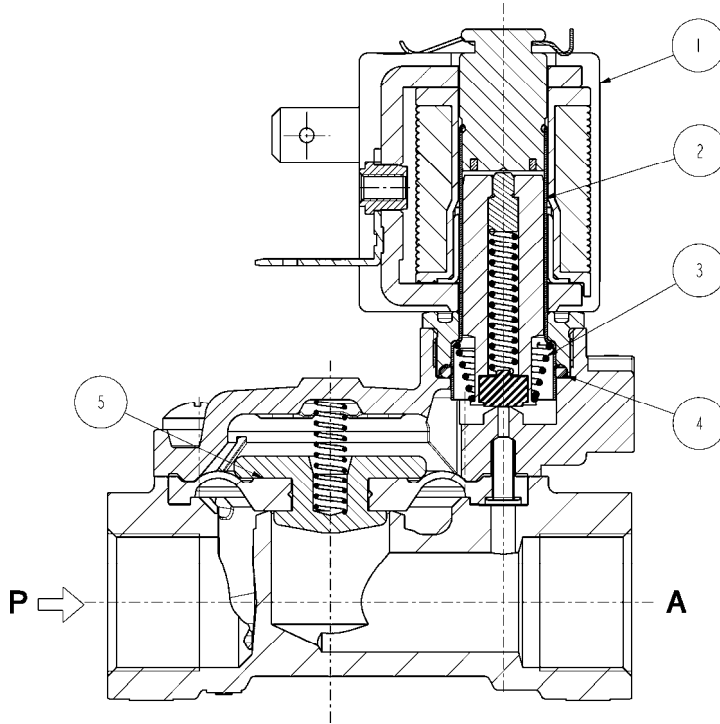
► **NOTES**

- Sealings: B(NBR)=Nitrile-butylene elastomer V(FPM)=Fluoro-carbon elastomer D(EPDM)=Ethylene-propylene elastomer (WRAS/KTW certified compound)
- Operation with gaseous media, at high pressure without any outlet restriction, can reduce the diaphragm life.
- On request coil in class H (ZB14A – see § "COIL")
- The bracketed values of Δp max are related to valves with V(FPM) seals.
- 1 - Low power consumption coil on request (3,5 VA in AC – 3W in DC): Δp max = 12 bar
- 2 - Low power consumption coil on request (3,5 VA in AC – 3W in DC): Δp max = 8 bar
- 3 - L182D01 – L182D02: WRAS certified solenoid valves (certificate n. 0904038).

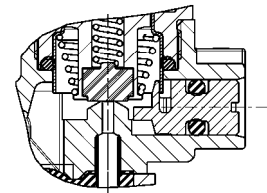
# L182

## ► SPARE PARTS

### L182 B-V-D01



### L182 B-V-D02



#### Kit description

#### Kit P.N.

#### Consisting of:

Core kit	L182B-V		G3138201	Core kit pos.2 Core return spring pos. 3 O-Ring guide assembly pos. 4	
	L182D		G3138202		
Diaphragm assembly	L182B	3/8-1/2	2844302R	Diaphragm assembly pos.5	
	L182V	3/8-1/2	2844303R		
	L182D	3/8-1/2	2844306R		
	L182B	3/4	1		2299701R
			1		2380101R
	L182V	3/4	1		2299702R
			1		2380102R
	L182D	3/4	1		2299708R
			1		2380106R
Coil			ZB10	Coil pos.1	
			ZB12		
			ZB14		

## ► INSTALLATION

- Solenoid valve can be mounted in any position; vertical with coil upwards preferred.