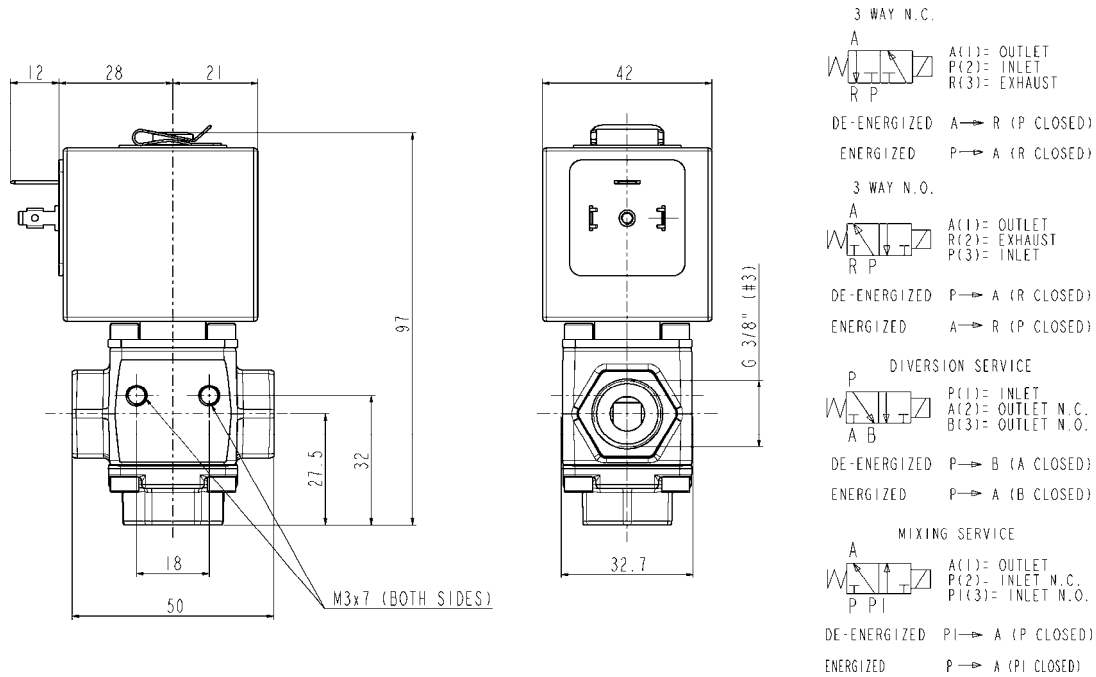




SOLENOID VALVE
3/2- US (Universal service)
Direct acting
G 3/8

L340v08G



► **GENERAL FEATURES**

Direct acting solenoid valve.
 Suitable to shut off liquid and gaseous fluids. Particularly suitable to shut off vegetal oils used as fuels (verify the compatibility of fluid with material in contact).

► **TECHNICAL FEATURES**

Maximum allowable pressure (PS) 16bar
 Opening time ~30ms
 Closing time ~30ms
 Fluid temperature -20°C +130°C (vegetal oils – diesel)
 0°C +130°C (other fluids)
 Max viscosity 5°E (~37 cStokes or mm²/s)

► **MATERIALS IN CONTACT WITH FLUID**

Body Anodized aluminum
 Sealing FPM
 Internal components Stainless steel
 Seat Anodized aluminum
 Core tube Stainless steel

► **COIL**

Continuous duty ED 100%
 Encapsulation material PET (polyethylene-terephthalate) fibreglass reinforced
 Insulation class H (165°C) - UL
 Ambient temperature -30 C° +80 °C
 Electric connection DIN 46340- 3 poles plug connectors (DIN 43650)
 Protection degree IP 65 (EN 60529) with plug connectors
 Voltages DC 12-24V (+10% -5%)
 (Other voltages on request).

NON STANDARD

Port size ISO 228	Orifice size (mm)	Differential pressure (bar)				Kv (m ³ /h)	Series and type		Power absorption			Sealings	Notes	Weight (kg)	
		Δp min	Δp max				Valve	Coil	AC (VA)		DC (W)				
			Gases		Liquids				Inrush	Holding					
			AC	DC	AC										DC
G 3/8	12	0	-	4	-	4	1,4	L340V08G	Z134A	-	-	13	FPM	1	0,470

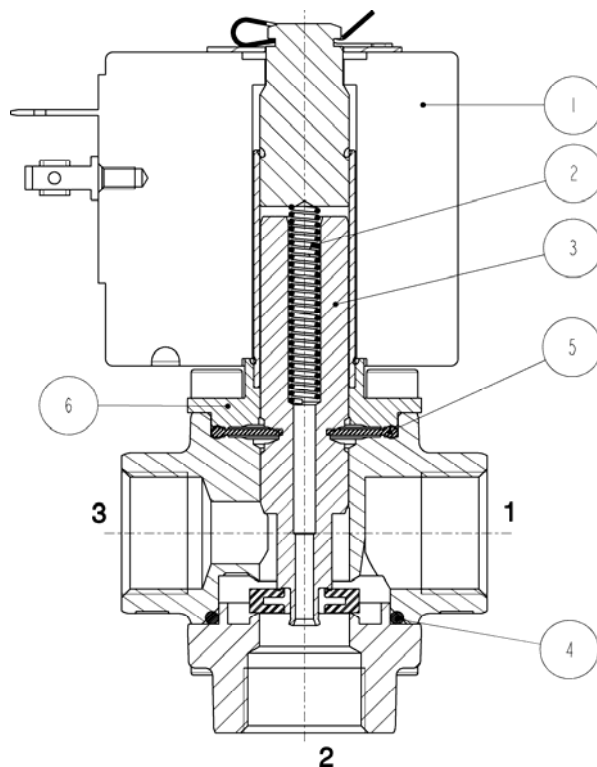
► **NOTES**

- Sealings: FPM = Fluoro-carbon elastomer
 1 - When used in mixing function the Δp max is 6 bar

L340v08G

NON STANDARD

► SPARE PARTS



Kit description

Core kit

Kit P.N.

G3139701

Consisting of:

Core pos.3
Diaphragm pos.5
Core return spring pos.2
O-Ring pos.4

Core return spring kit

G2446101

N.10 core return spring pos.2

O-Ring kit

GU2424000021

N.10 O-Ring pos.4

Guide pipe assembly

292713001R

Guide pipe pos.6

Coil

Z134A

Coil pos.1

► MOUNTING

- Solenoid valve can be mounted in any position; vertical with coil upwards preferred.

THE VALIDITY OF REPORTED DATA IS REFERRED TO THE DATE OF ISSUE. POSSIBLE UPDATING ARE AVAILABLE ON REQUEST