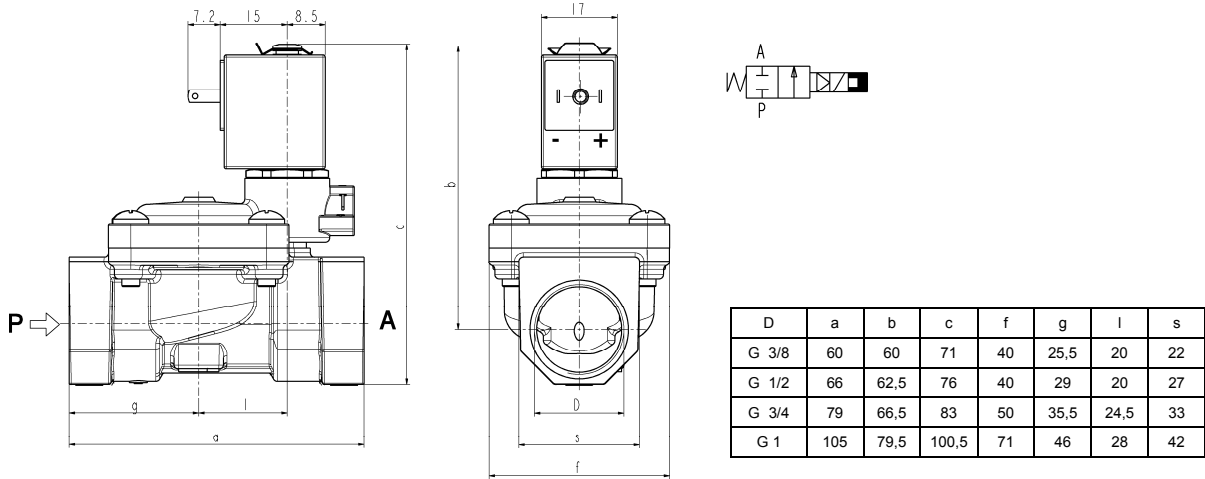




**SOLENOID VALVE**  
**2/2 - NC (Normally closed)**  
**Pilot operated**  
**G 3/8 ÷ G1**

**L182**  
**LATCHING MODEL**



► **GENERAL FEATURES**

Diaphragm valve, pilot operated, having full orifice.  
 Suitable to shut off liquid and gaseous fluids (verify the compatibility of fluid with materials in contact).

► **TECHNICAL FEATURES**

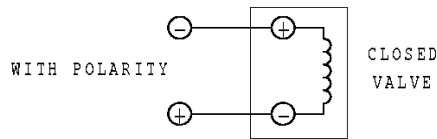
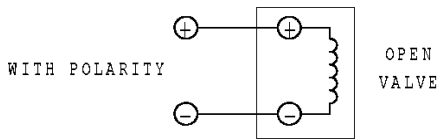
*Maximum allowable pressure (PS)* 16 bar  
*Opening time* from ~300ms to ~1500ms  
*Closing time* from ~1000ms to ~1500ms  
*Fluid temperature* -10°C +90°C (NBR)  
 -10°C +140°C (EPDM)  
*Max viscosity* 5°E (~37 cStokes or mm²/s)

► **MATERIALS IN CONTACT WITH FLUID**

*Body* Brass  
*Sealing* NBR or EPDM  
*Internal components* Brass and stainless steel  
*Seat* Brass  
*Guide assembly* Stainless steel

► **COIL**

*Duty* Latching model, polarized type, operating with impulses  
*Minimum energizing time* 20ms  
*Encapsulation material* PP-V0 (self-extinguishing-polypropylene)  
*Coil insulation class* A (105°C)  
*Ambient temperature* -10°C +60°C  
*Electric connections* DIN 46340 - 3 poles micro plug connector  
*Protection degree* IP 65 (EN 60529) with micro plug connector  
*Voltages* DC 6-12V (+10% -10%)  
 (Other voltages on request).



Port size ISO 228	Orifice size (mm)	Differential pressure (bar)				Kv (m³/h)	Series and type		Power absorption			Sealings	Notes	Weight (kg)								
		Δp min	Δp max		Valve		Coil	AC (VA)		DC (W)												
			Gases					Inrush	Holding													
			AC	DC							AC				DC							
G 3/8	13,5	0,35	-	8	-	8	2,5	L182D61	-	-	2	EPDM	1	0,300								
G1/2	13,5						3,8							0,360								
G 3/4	18						5							0,500								
G3/8	13,5						-	8					-	8	2,5	Z070D	-	-	2	NBR	-	0,300
G 1/2	1,5														3,8							0,360
G 3/4	18														5							0,500
G 1	24														11							1,060

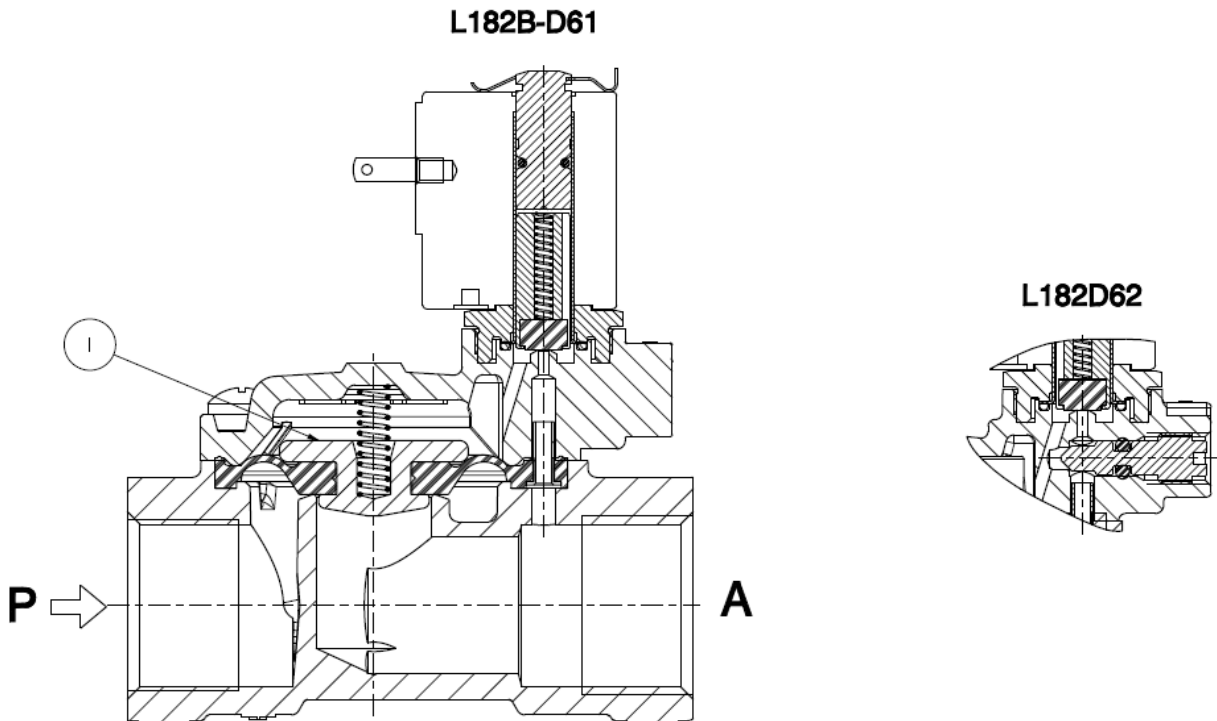
► **NOTES**

- Sealings : NBR = Nitrile-butylene elastomer. EPDM = Ethylene-propylene elastomer (WRAS/KTW certified compound)
- The operation with gaseous media, at high pressure without any outlet restriction, can reduce the diaphragm life.
- 1 - **WRAS** certified solenoid valve (certificate n. 1411048).
- 2 - Version with manual override, available on request

# L182

## LATCHING MODEL

### ► SPARE PARTS



#### Kit description

Diaphragm assembly

Kit P.N.			
L182D61	G3/8	2844306R	
	G1/2	2844306R	
L182D62	G3/4	2299708R	
L182B61	G3/8	2844302R	
	G1/2	2844302R	
	G3/4	2299701R	
	G 1	2380101R	

#### Kit P.N.

#### Consisting of:

Diaphragm assembly pos. 1

### ► MOUNTING

- Solenoid valve can be mounted in any position; vertical with coil upwards preferred.

THE VALIDITY OF REPORTED DATA IS REFERRED TO THE DATE OF ISSUE. POSSIBLE UPDATES ARE AVAILABLE ON REQUEST.