

> AQ RANGE / GAMME AQ

Weatherproof Quarter-turn Actuators
Servomoteurs Quart de tour Etanches



LABEL

The essentials



AQ L

AQ1L-AQ3L-AQ7L

- ❑ 1x85-260V AC 50/60Hz +24V DC
- ❑ 12V DC (on request)

On-Off Class A as standard

> OPTIONS

- + Low temp. -40°
- + Position transmitter (4-20mA out)
- + Positioner (4-20mA in/out)
> Class B



AQ SWITCH

AQ5-AQ10-AQ15-AQ25-AQ30-AQ50

- ❑ 1x115/220/230V AC 50/60Hz
- ❑ 3x380-415V AC 50/60Hz
- ❑ 3x440-480V AC 60Hz
- ❑ 24V DC

On-Off Class A as standard

> OPTIONS

- + Low temp. -40°
- + Position potentiometer (1000 Ω)
> Class B (POT)
- + Position Transmitter (4-20mA out)
> Class B (TAM)



AQ LOGIC

AQ5-AQ10-AQ15-AQ25-AQ30-AQ50

- ❑ 1x115/220/230V AC 50/60Hz
- ❑ 3x380-415V AC 50/60Hz
- ❑ 3x440-480V AC 60Hz
- ❑ 24V DC

On-Off Class A as standard

> OPTIONS

- + Low temp. -40°
- + Class B (Positioner 4-20mA in/out)
- + Class III (Positioner 4-20mA in/out)
- + 4 additional signaling relays
- + Profibus DPV1
- + Modbus RTU



Tech Data - Performances

1x85-260VAC 50-60Hz

Type	Max torque N.m	SWITCH On-Off	SWITCH Loc Command On-Off	SWITCH Positioner	SWITCH Loc Command Positioner	LOGIC On-Off & Positioner	Positioning torque N.m	Operating time s / 90°	Flange ISO	Power kW	Current rated A	Current start A
AQ1L	15	Yes	--	Yes	--	--	--	13	F03/F04/F05	0.02	0.3	0.8
AQ3L	30	Yes	--	Yes	--	--	--	15	F03/F04/F05	0.02	0.3	0.8
AQ7L	70	Yes	--	Yes	--	--	--	15	F05/F07	0.02	0.4	1

1x220/230VAC 50Hz / 60Hz*

Type	Max torque N.m	SWITCH On-Off	SWITCH Loc Command On-Off	SWITCH Positioner	SWITCH Loc Command Positioner	LOGIC On-Off & Positioner	Positioning torque N.m	Operating time s / 90°	Flange ISO	Power kW	Current rated A	Current start A
AQ5	50	Yes	Yes	--	Yes	Yes	--	16/ 13	F05/F07	0.015	0.6	0.7
AQ10	100	Yes	Yes	--	Yes	Yes	50	25/ 21	F05/F07	0.015	0.6	0.7
AQ15	150	Yes	Yes	--	Yes	Yes	75	30/ 25	F05/F07	0.03	0.8	1.1
AQ25	250	Yes	Yes	--	Yes	Yes	125	30/ 25	F07/F10	0.04	1.1	1.4
AQ30	300	Yes	Yes	--	Yes	Yes	150	35/ 30	F07/F10	0.04	1.1	1.4
AQ50	500	Yes	Yes	--	Yes	Yes	250	35/ 30	F07/F10	0.06	1.2	1.7

*X = values for 60Hz

3x400VAC 50Hz

Type	Max torque N.m	SWITCH On-Off	SWITCH Loc Command On-Off	SWITCH Positioner	SWITCH Loc Command Positioner	LOGIC On-Off & Positioner	Positioning torque N.m	Operating time s / 90°	Flange ISO	Power kW	Current rated A	Current start A
AQ5	50	Yes	Yes	--	Yes	Yes	--	16	F05/F07	0.03	0.3	0.5
AQ10	100	Yes	Yes	--	Yes	Yes	50	25	F05/F07	0.03	0.3	0.5
AQ15	150	Yes	Yes	--	Yes	Yes	75	30	F05/F07	0.03	0.3	0.5
AQ25	250	Yes	Yes	--	Yes	Yes	125	30	F07/F10	0.04	0.3	0.5
AQ30	300	Yes	Yes	--	Yes	Yes	150	35	F07/F10	0.04	0.3	0.7
AQ50	500	Yes	Yes	--	Yes	Yes	250	35	F07/F10	0.07	0.3	0.8

24V DC

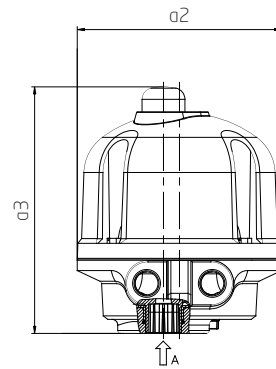
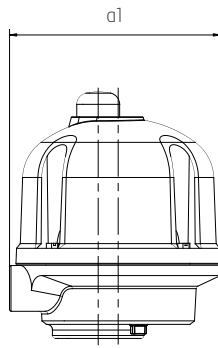
Type	Max torque N.m	SWITCH On-Off	SWITCH Loc Command On-Off	SWITCH Positioner	SWITCH Loc Command Positioner	LOGIC On-Off & Positioner	Positioning torque N.m	Operating time s / 90°	Flange ISO	Power kW	Current rated A	Current start A
AQ1L	15	Yes	--	Yes	--	--	--	13	F03/F04/F05	0.02	0.4	2.5
AQ3L	30	Yes	--	Yes	--	--	--	15	F03/F04/F05	0.02	0.4	2.5
AQ7L	70	Yes	--	Yes	--	--	--	15	F05/F07	0.02	0.5	6
AQ5	50	Yes	Yes	--	Yes	Yes	--	13	F05/F07	0.03	2.5	8
AQ10	100	Yes	Yes	--	Yes	Yes	50	21	F05/F07	0.03	2.5	8
AQ15	150	Yes	Yes	--	Yes	Yes	75	25	F05/F07	0.03	2.5	8
AQ25	250	Yes	Yes	--	Yes	Yes	125	25	F07/F10	0.05	3.5	10



Tech Data - Dimensions

> AQ1L to AQ7L

SWITCH models

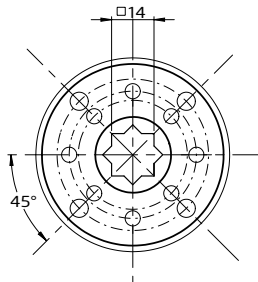


	Flange ISO5211	Stem size (mm)		a1 max. (mm)	a2 (mm)	a3 (mm)	Approx. Weight (kg)
		Square (max.)	Double D ¹ (mm)				
AQ1L	F03/F04/F05	14	9	150	145	175	2.5
AQ3L	F03/F04/F05	14	9	150	145	175	2.5
AQ7L	F05/F07	22	11/14	150	145	195	3.5

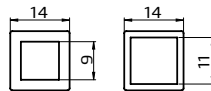
¹ Available on request

> Available adaptors

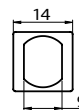
AQ1L & AQ3L



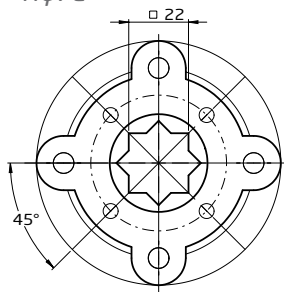
Standard Adaptors



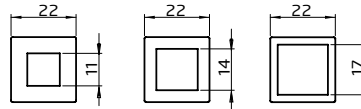
Adaptor on request



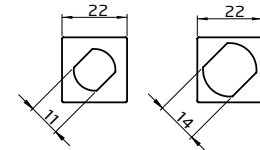
AQ7L



Standard Adaptors



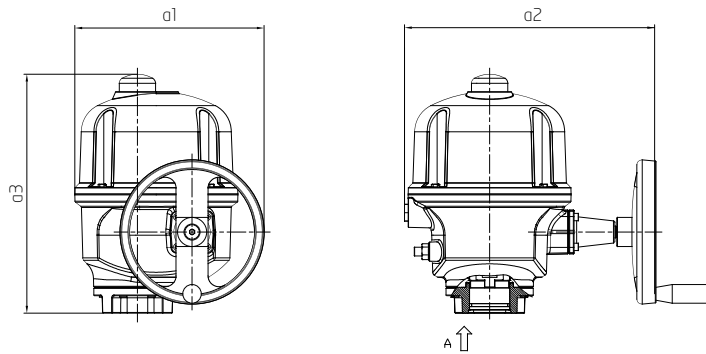
Adaptors on request



Tech Data - Dimensions

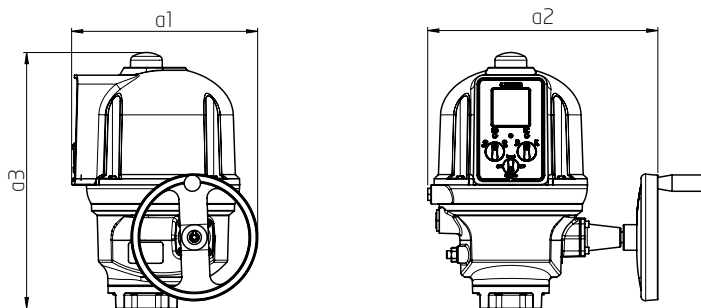
> AQ5 to AQ50

SWITCH models



	Flange ISO5211	Stem size (mm)		a1 max. (mm)	a2 (mm)	a3 (mm)	Approx. Weight (kg)
		Bore (max.)	Square (max.)				
AQ5	F05/F07	22	19	185	225 ²	290	10
AQ10	F05/F07	22	19	185	225 ²	290	10
AQ15	F05/F07	22	19	185	225 ²	290	10
AQ25	F07/F10	30	27	225	315 ²	320	13
AQ30	F07/F10	30	27	260	350 ²	330	15
AQ50	F07/F10	32	27	260	350 ²	330	15

LOGIC models or SWITCH models with local command option



	Flange ISO5211	Stem size (mm)		a1 max. (mm)	a2 (mm)	a3 (mm)	Approx. Weight (kg)
		Bore (max.)	Square (max.)				
AQ5	F05/F07	22	19	265	260 ²	375	15
AQ10	F05/F07	22	19	265	260 ²	375	15
AQ15	F05/F07	22	19	265	260 ²	375	15
AQ25	F07/F10	30	27	265	330 ²	390	18
AQ30	F07/F10	30	27	293	360 ²	401	20
AQ50	F07/F10	32	27	293	360 ²	401	20

² AQ actuators are represented with handweel fold up