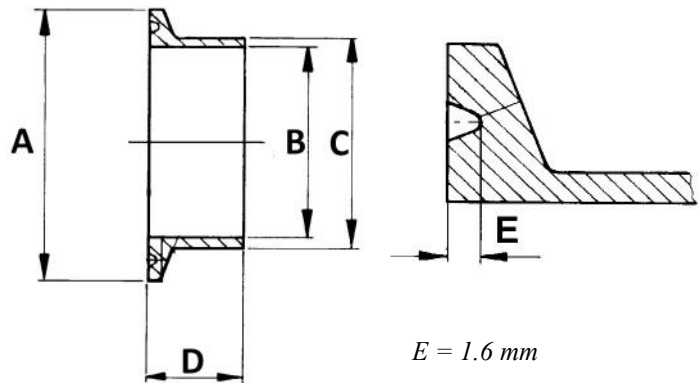


ZOEDALE

▶ *keeping industry flowing*

Clamp Weld Fittings — OD Imperial

Clamp Ferrule EN 20286-1



Tube OD		A	B	C	D	CODE
Inch	mm	mm	mm	mm	mm	
0.5	12.7	25.4	9.5	12.9	21.5 28 44.5	E01-050 E01-050A E01-050B
0.75	19.05	25.4	15.85	19.3	21.5 28 44.5	E01-075 E01-075A E01-075B
1	25.4	50.5	22.2	25.65	21.5 28 44.5	E01-10 E01-10A E01-10B
1.5	38.1	50.5	34.9	38.35	21.5 28 44.5	E01-15 E01-15A E01-15B
2	50.8	64.0	47.6	51.05	21.5 28 44.5	E01-20 E01-20A E01-20B
2.5	63.5	77.5	60.3	63.75	21.5 28 44.5	E01-25 E01-25A E01-25B
3	76.2	91.0	73.0	76.45	21.5 28 44.5	E01-30 E01-30A E01-30B
4	101.6	119.0	97.6	101.85	21.5 28 44.5	E01-40 E01-40A E01-40B
5	129	155	125	129	28.0	E01-50
6	154	167	150	154	28.0	E01-60
8	204	217	200	204	28.0	E01-80
10	254	268	250	254	28.0	E01-90
12	304	318	300	304	28.0	E01-95

ZOEDALE

▶ *keeping industry flowing*

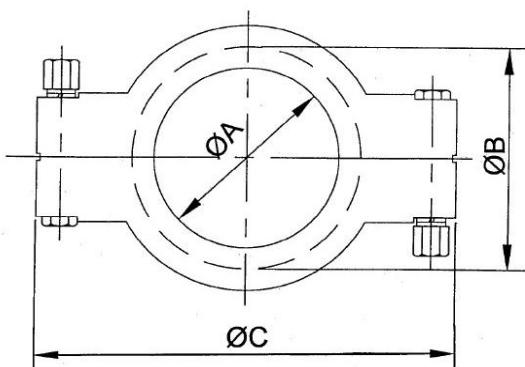
Clamp Weld Fittings — OD Imperial

Heavy Duty Clamp and Clamp Assembly EN 20286-1



SIZE		DIM A	CODE
Inch	mm	mm	
0.5	12.7	25	E002-050
0.75	19.05	25	E002-050
1	25.4	50	E002-15
1.5	38.1	50	E002-15
2	50.8	64	E002-20
2.5	63.5	77.5	E002-25
3	77.5	91	E002-30
4	101.6	119	E002-40
5	129	155	E09-00
6	154	167	E002-60
8	204	217	E002-80
10	254	268	E002-90
12	304	318	E002-95

13MHP—High Pressure Clamp EN 20286-1



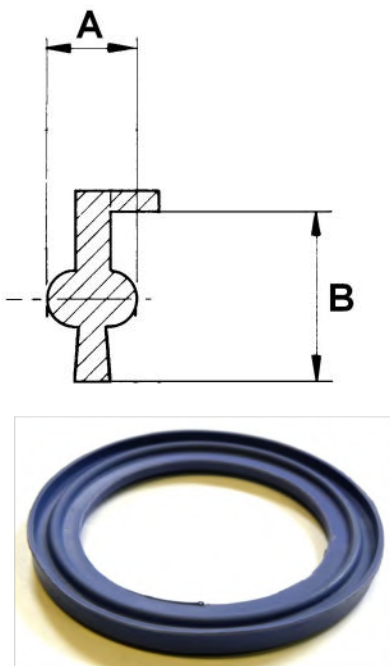
SIZE		A	B	C	Code
Inch	mm	mm	mm	mm	
1/2" - 3/4"	12.7–19.05	25	28	53.6	E003-05
1" - 1 1/2"	25.4 - 38.1	50	52	95.7	E003-15
2"	50.8	64	65.5	109.5	E003-20
2.1/2"	63.5	77.5	79	124.3	E003-25
3"	76.2	91	92.5	135.4	E003-30
4"	101.6	119	120.5	163.4	E003-40

ZOEDALE

▶ *keeping industry flowing*

Clamp Weld Fittings — OD Imperial

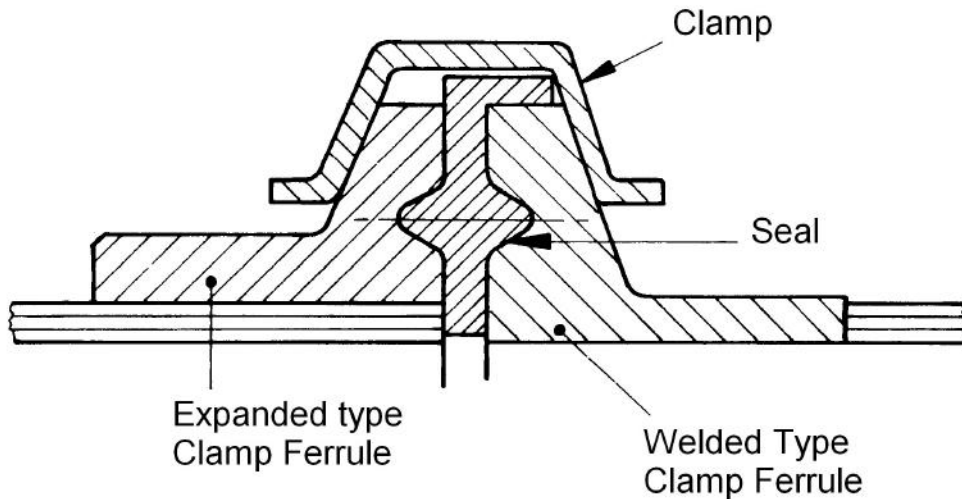
Clamp Joint Ring EN 20286-1



Tube OD		A	B	CODE
Inch	mm	mm	mm	
0.5	12.7	5.55	25	E03-050
0.75	19.05	5.55	25	E03-075
1	25.4	5.5	50	E03-10
1.5	38.1	5.5	50	E03-15
2	50.8	5.5	64	E03-20
2.5	63.5	5.5	77.5	E03-25
3	76.2	5.5	91	E03-30
4	101.6	5.5	119	E03-40
5	129	5.5	155	E03-50
6	154	5.5	167	E03-60
8	204	5.5	217	E03-80
10	254	5.5	268	E03-90
12	304	5.5	318	E03-95

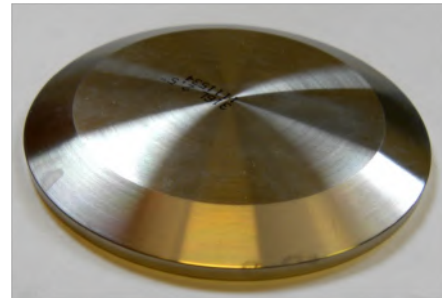
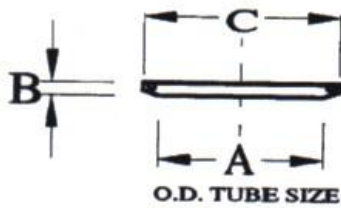
NOTE: The standard Clamp Joint Ring is supplied in EPDM, other materials available include Viton, Silicone, PTFE/ Viton envelope & PTFE solid.

Clamp Union Cross Section



Clamp Weld Fittings — OD Imperial

Clamp Blank Cap EN 20286-1



SIZE	DIM B	DIM C	CODE
0.5"	6.25	25	E04-050
0.75"	6.25	25	E04-050
1"	6.25	50	E04-15
1.5"	6.25	50	E04-15
2"	6.25	64	E04-20
2.5"	6.25	77.5	E04-25
3"	6.25	91	E04-30
4"	8	119	E04-40
129	10	155	E04-50
154	9.50	167	E04-60
204	11	217	E04-80
254	11	268	E04-90
304	*	318	*