

Pneumatic Actuated Valves

D101 – 2 Way Double Acting Pneumatic Actuated Ball Valve



General Features

2 Way Double Acting Pneumatic Actuated Ball Valve

Working pressure - see table below

Working temperature from -20°C to +150°C for fluids

Fluid range: air, water, oil, gas, petroleum

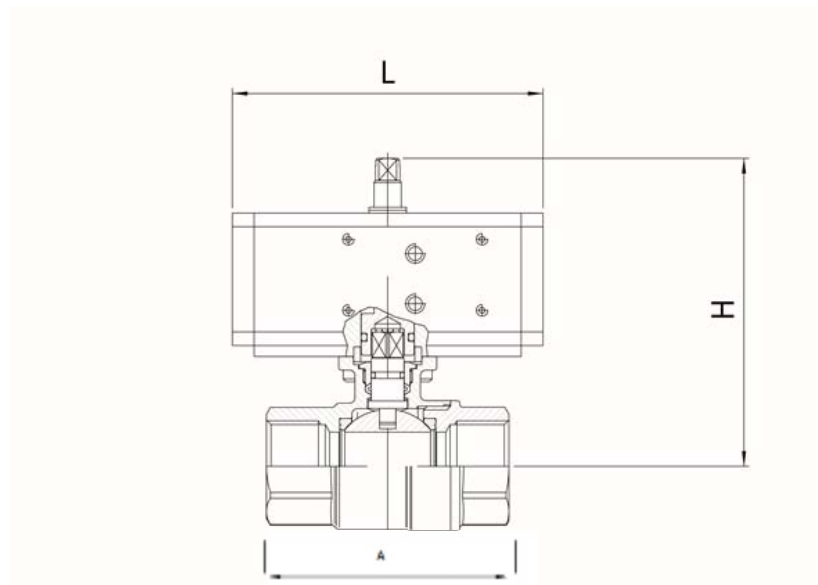
and petrochemical products, vacuum

Threaded ends as per UNI/ISO 7/1 Rp (BSPT)

Size	3/8" - 1/2"	3/4" - 1"	1 1/4" - 1 1/2"	2"	2 1/2" - 3"
Pressure bar	64	50	40	32	25

Valve Materials

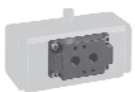
Ball	Chromium plated Brass
Body	Nickel plated brass
Ball seat	PTFE
O-rings	FKM
Gland nut	Nickel plated brass
Shaft seal	PTFE



Overall Dimensions

Model	DN mm	Size	L mm	H mm	A mm	Weight kg
D101H003	10	3/8"	70	88	69	0.61
D101H004	15	1/2"	70	88	69	0.59
D101H005	20	3/4"	114	104	77	1.09
D101H006	25	1"	114	108	89	1.33
D101H007	32	1 1/4"	130	131	103	2.03
D101H008	40	1 1/2"	130	138	114	2.45
D101H009	50	2"	144	151	134	4.64
D101H010	65	2 1/2"	169	181	161	6.08
D101H011	80	3"	185	181	185	12.48

Optional Extras



Interface Plate for NAMUR Solenoid Valve



Limit Switch Box with Mounting Bracket



NAMUR Solenoid Valve and Mounting Bracket



Position Indicator