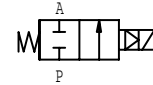
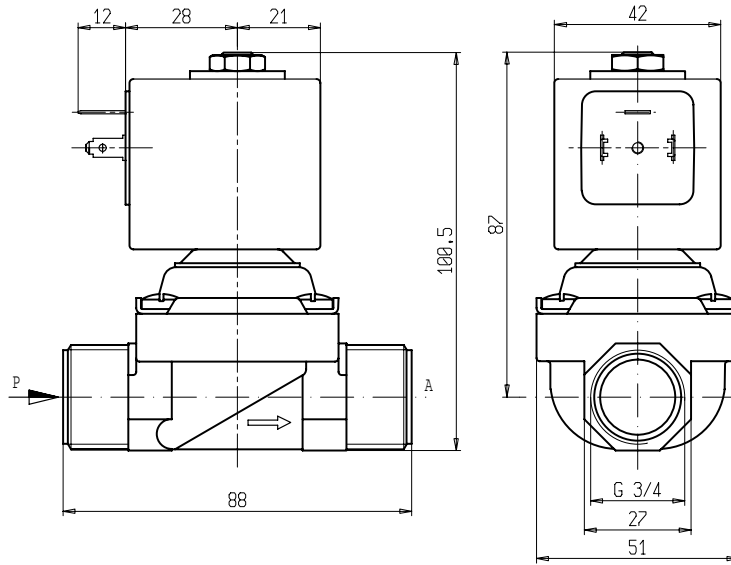




SOLENOID VALVE
2/2 - NC (Normally closed)
Pilot operated
G3/4

L131



► **GENERAL FEATURES**

Diaphragm valve, pilot operated, having full orifice.
 The fluid is not in contact with components either in copper or its alloys.
 Suitable to shut off liquid and gaseous fluids (verify the compatibility of fluid with materials in contact).

► **TECHNICAL FEATURES**

Maximum allowable pressure (PS) 10 bar
Opening time ~30ms
Closing time ~50ms
Fluid temperature -10°C +80°C
Max viscosity 5°E (~37 cStokes or mm²/s)

► **MATERIALS IN CONTACT WITH FLUID**

Body PP (polypropylene) fibreglass reinforced.
Sealing FPM
Internal components Stainless steel and PP fibreglass reinforced
Seat PP fibreglass reinforced.
Core tube Stainless steel
Shading coil Silver plated copper

► **COIL**

Continuous duty ED 100%
Encapsulation material PET (polyethylene terephthalate) fibreglass reinforced
Insulation class F (140°C) on request class H (165°C) - UL
Ambient temperature -10°C +60°C
Electric connenctions DIN 46340- 3 poles plug connectors (DIN 43650)
Protection degree IP 65 (EN 60529) with plug connector
Voltages AC 24V/50Hz - 110V/50Hz (120V/60Hz) - 230V/50Hz (+10% -15%)
 (Other voltages and frequencies on request).

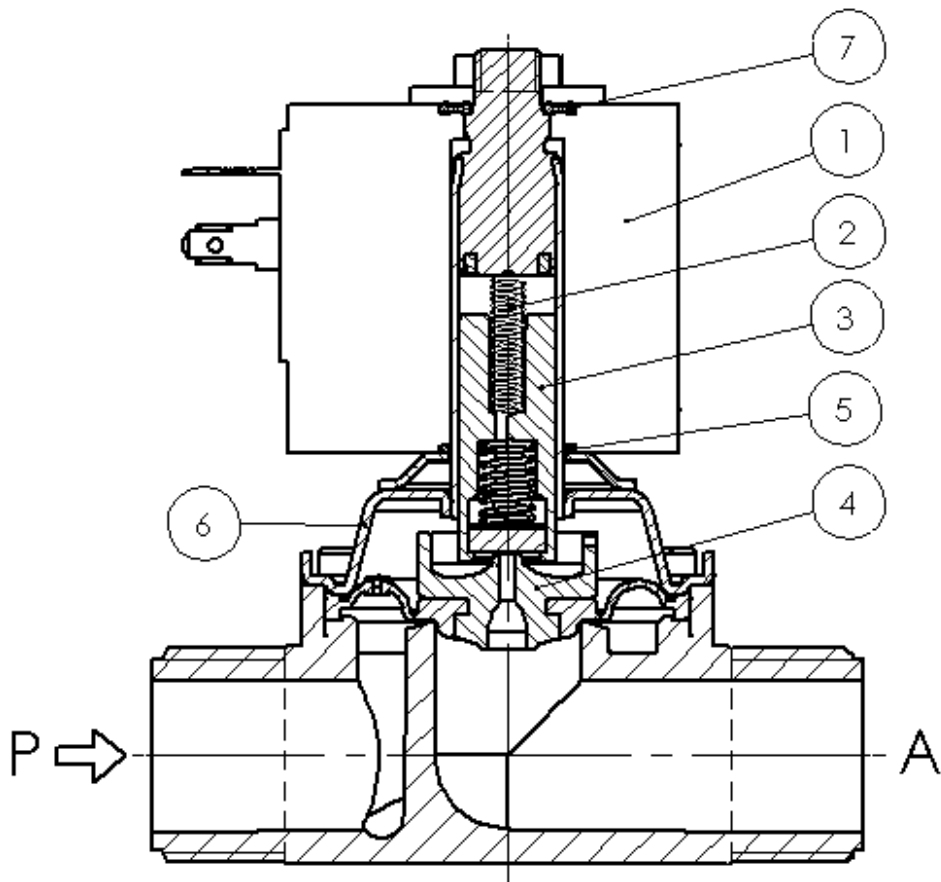
Port size ISO 228	Orifice size (mm)	Differential pressure (bar)						Kv (m ³ /h)	Series and type		Power absorption			Sealings	Notes	Weight (kg)
		Δp min	Δp max				Valve		Coil	AC (VA)		DC (W)				
			Gas		Liquids					Inrush	Holding					
			AC	DC	AC	DC										
G 3/4	18	0,2	6	-	6	-	4,8	L131V08	Z130A	44	24	-	FPM	-	0,470	

► **NOTES**

- Sealings : FPM = Fluoro-carbon elastomer
 - Continuous changements of pressure may reduce the life of the diaphragm.

L131

► SPARE PARTS



Kit description	Kit P.N.	Consisting of:
Core kit	G3083801	Core return spring pos. 2 Core pos. 3
Core spring kit	G2002301	N.10 Core return spring pos. 2
Diaphragm assembly kit	G3141701	Diaphragm assembly pos.4
Kit OR for coil	GU2421000138	N.10 OR for coil pos.5
Kit gasket for coil	G3067301	N.10 gaskets pos.7
Guide assembly	298544-002R	Guide assembly pos. 6
Coil	Z130A	Coil pos. 1

► INSTALLATION

- Solenoid valve can be mounted in any position; vertical with coil upwards preferred.
- In case of disassembling for usual maintenance, the coil fixing nut has to be tightened with 5÷7 Nm torque.