



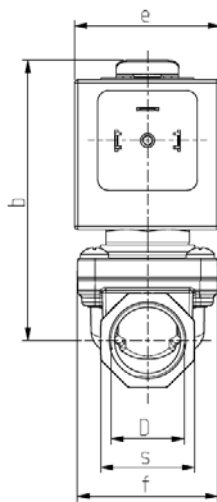
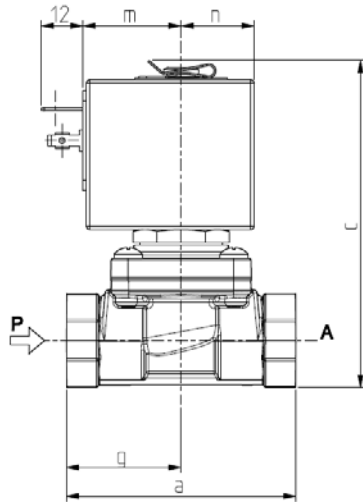
# SOLENOID VALVE

## 2/2 - NC (Normally closed)

### Pilot operated hung diaphragm

### G 1/2 - 3/4 - 1

L153



	D	a	b	c	e	f	m	n	s	g
D07	G 1/2	66	80,5	94	42	41	28	21	27	-
	G 3/4	79	85,5	102,5	42	51	28	21	33	-
D5	G 1	105	106	127	48,6	71	35	24,3	42	46
D10	G 1/2	66	82	95	42	41	28	21	27	-
	G 3/4	79	87	104	42	51	28	21	33	-

#### ► GENERAL FEATURES

Pilot operated hung diaphragm solenoid valve, with full orifice.  
 Suitable to shut off liquid and gaseous fluids; particularly suitable to shut off overheated water and steam (verify the compatibility of fluid with materials in contact).

#### ► TECHNICAL FEATURES

Maximum allowable pressure (PS) 16 bar  
 Opening time from ~100ms to ~150ms  
 Closing time from ~100ms to ~400ms  
 Fluid temperature -10°C +140°C  
 Max viscosity 5°E (~37 cStokes or mm<sup>2</sup>/s)

#### ► MATERIALS IN CONTACT WITH FLUID

Body Brass  
 Sealing EPDM  
 Diaphragm PTFE  
 Internal components Stainless steel  
 Seat Stainless steel  
 Core tube Stainless steel  
 Shading coil Copper

#### ► COIL

Continuous duty ED 100%  
 Encapsulation material Z1: PET (Polyethylene terephthalate) fiberglass reinforced  
 Z9: PPS (Polyphenylsulfure) fiberglass reinforced  
 H (165°C) – UL (Z134A)  
 -10°C +80°C  
 Electric connections DIN 46340 - 3 poles connectors (EN175301-803)  
 Protection degree IP 65 (EN 60529) with plug connector  
 Voltages AC 24V/50Hz - 110V/50Hz (120V/60Hz) - 230V/50Hz (+10% -15%)  
 (Other voltages and frequencies on request).

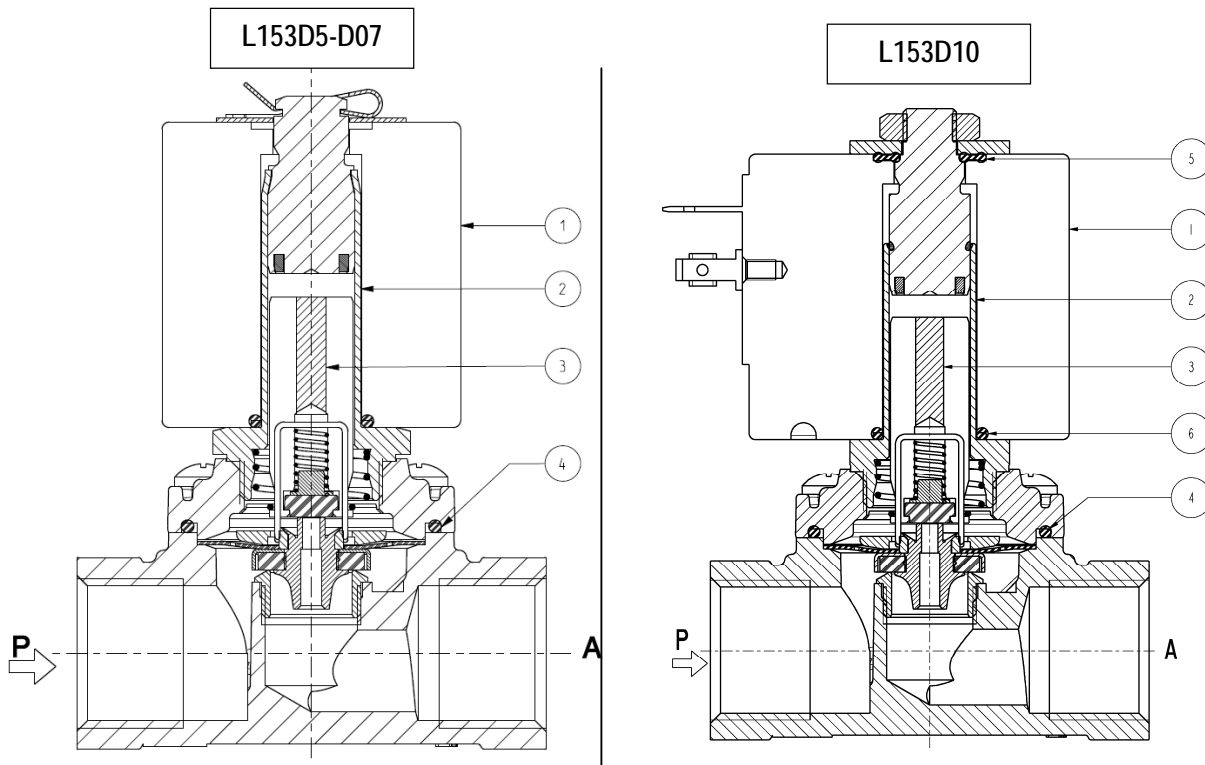
Port size ISO 228	Orifice size (mm)	Differential pressure (bar)				Kv (m <sup>3</sup> /h)	Series and type		Power absorption			Sealings	Function Notes	Weight (kg)	
		Δp min	Δp max		Valve		Coil	AC (VA)		DC (W)					
			Gases	Liquids				Inrush	Holding						
			AC	DC	AC	DC									
G1/2	11,5	0	8	-	6	-	2,1	L153D07	Z134A	44	24	-	EPDM	1-2-3	0,660
G3/4	17						5								0,870
G1	22						8,5	L153D5	Z923A	50	27			1-2	1,665
G1/2	11,5						2,1	L153D10	Z134A	44	24			1-2-3-4	0,660
G3/4	17						5								0,870

#### ► NOTES

- Sealings : EPDM = Ethylene-propylene elastomer
- 1 - Only for use with steam, consider following values: max pressure 3 bar (max temperature of fluid 140°C).
- 2 - The valves can operate in vacuum conditions at 0 bar absolute downstream.
- 3 - On request Z130A coil encapsulated in PET (Polyethylene terephthalate) in class "F" (+140°C): maximum fluid temperature +100°C, maximum ambient temperature +60°C.
- 4 - Model available on request only: ask for minimum quantity. Coils fitted with sealing gaskets underneath and on the upper part (see sectional view on the back). Particularly suitable to be used in places with high percentage of humidity.

# L153

## ► SPARE PARTS



### Kit description

Kit description			Kit P.N.
Diaphragm core kit	L153D07-D10	G1/2 G3/4	G3084101 G3084201
	L153D5	G1	G2836601
Guide assembly	L153D07	G1/2 – G3/4	3078101R
	L153D5	G1	2834901R
	L153D10	G1/2-G3/4	297456-001R
Kit gasket for coil	L153D10		G3067302
Kit OR for coil	L153D10		GU2428000015
Coil	L153D07-D10		Z134A
	L153D5		Z923A

### Consisting of:

Core and sealing disc kit pos.3 OR guide assembly pos. 4
Guide assembly pos. 2
N.10 gaskets pos.5
N.10 OR for coil pos.6
Coil pos. 1

## ► INSTALLATION

Solenoid valve can be mounted in any position; vertical with coil upwards preferred.

THE VALIDITY OF REPORTED DATA IS REFERRED TO THE DATE OF ISSUE. POSSIBLE UPDATES ARE AVAILABLE ON REQUEST.