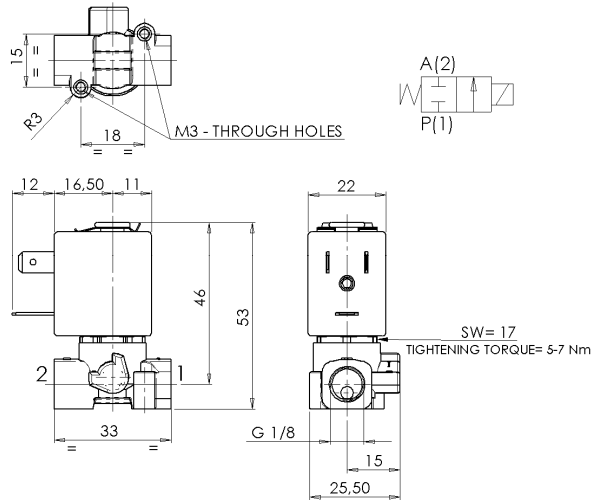




**SOLENOID VALVE**  
**2/2- NC (Normally closed)**  
**Direct acting**  
**G 1/8**

**L172**



**► GENERAL FEATURES**

Direct acting solenoid valve.  
 Available also integrated on manifold (2÷10 actuators), see the technical data sheet L672.  
 Suitable to shut off liquid and gaseous fluids (verify the compatibility of fluid with material in contact).

**► TECHNICAL FEATURES**

Maximum allowable pressure (PS) 50bar  
 Opening time ~10ms  
 Closing time ~10ms  
 Fluid temperature 0°C +130°C  
 Max viscosity 5°E (~37 cStokes or mm<sup>2</sup>/s)

**► MATERIALS IN CONTACT WITH FLUID**

Body Brass  
 Sealing FPM  
 Internal components Stainless steel  
 Seat Brass  
 Core tube Stainless steel  
 Shading coil Copper

**► COIL**

Approval  
 Encapsulation material  
 Insulation class  
 Ambient temperature  
 Continuous duty  
 Electric connection  
 Protection degree  
 Voltages DC  
 AC

ZB10A	ZB12A	ZB14A
/	UL and CSA	UL and CSA
PA	PET	PET
fiberglass reinforced	fiberglass reinforced	fiberglass reinforced
F (155°C)	F (155°C)	H (180°C)
-10°C +60°C	-10°C +60°C	-10°C +75°C
ED 100%		
DIN 46340 - 3 poles plug connector		
IP 65	IP 67	IP 67
(EN 60529) with plug connector	(EN 60529) with plug connector	(EN 60529) with plug connector
12-24V (+10% -5%)		
24V/50-60Hz - 115V/50Hz - 230V/50-60Hz (+10% -15%)		
(Other voltages and frequencies on request).		

Port size ISO 228	Orifice size (mm)	Differential pressure (bar)				Kv (m <sup>3</sup> /h)	Series and type		Power absorption				Sealings	Notes	Weight (kg)
		Δp max		Valve	Coil		AC (VA)			DC					
		Gases	Liquids				Inrush	Holding							
Δp min	AC	DC	AC	DC	VA	VA	W	W							
G1/8	1,2	0	28	20	28	20	L172V03	ZB10A ZB12A	12	6	4	5,5	FPM	1	0,160
	1,6		20	12	20	12									
	2		15	6	15	6									
	2,4		12	4	12	4									

**► NOTES**

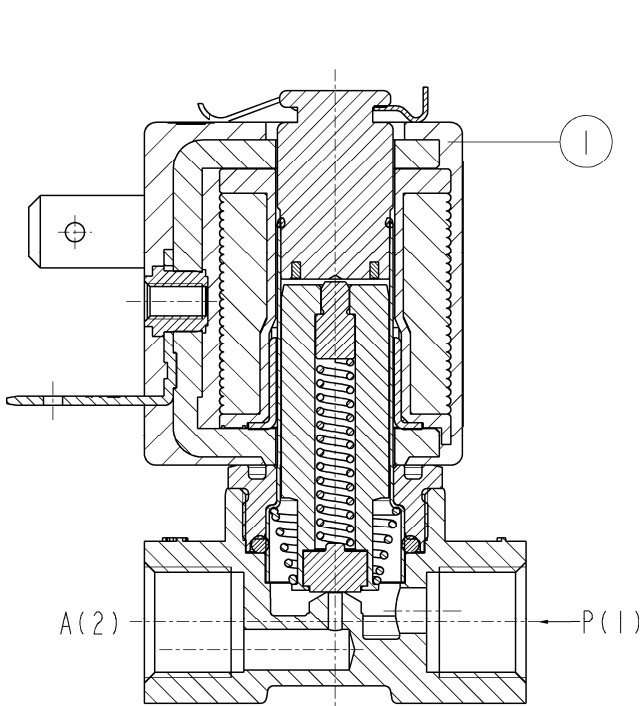
- Sealings: FPM = Fluoro-carbon elastomer
- On request: - version with manual override: L172V01
- sealings in EPDM (Ethylene-propylene elastomer): L172D03
- body valve in stainless steel AISI 316: L172V07
- body valve with special surface treatments
- coil in class H (ZB14A – see § "COIL")
- grease/oil free versions
- customized version: L172V24

1 – ZB12 and ZB14 coils fitted with sealing gaskets underneath and on the upper part (see sectional view on the back)

# L172

## ► SPARE PARTS

WITH ZB10A COIL



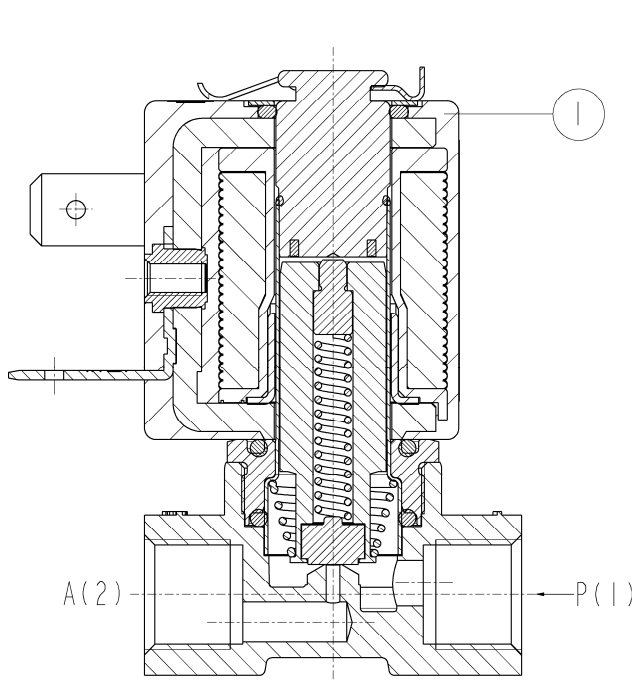
### Kit description

Coil

### Kit P.N.

ZB10A  
ZB12A  
ZB14A

WITH ZB12A – ZB14A



### Consisting of:

Coil pos.1

## ► INSTALLATION

- Solenoid valve can be mounted in any position; vertical with coil upwards preferred.

THE VALIDITY OF REPORTED DATA IS REFERRED TO THE DATE OF ISSUE. POSSIBLE UPDATES ARE AVAILABLE ON REQUEST