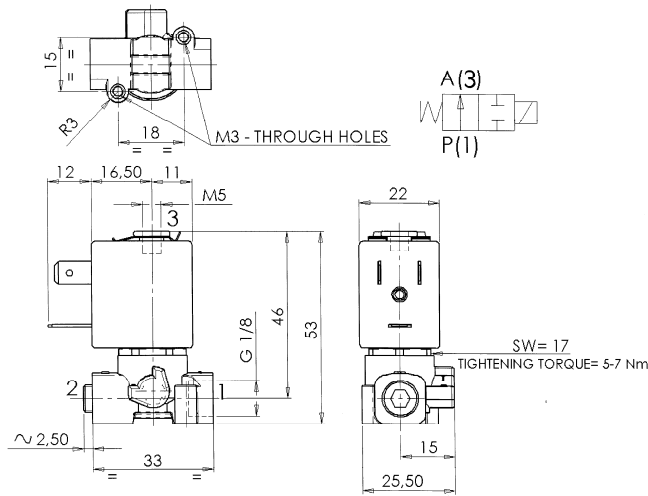




**SOLENOID VALVE**  
**2/2- NO (Normally open)**  
**Direct acting**  
**G 1/8**

**L272**



**► GENERAL FEATURES**

Direct acting solenoid valve.  
 Suitable to shut off liquid and gaseous fluids (verify the compatibility of fluid with material in contact).

**► TECHNICAL FEATURES**

Maximum allowable pressure (PS) 50bar  
 Opening time ~10ms  
 Closing time ~10ms  
 Fluid temperature 0°C +130°C  
 Max viscosity 5°E (~37 cStokes o mm<sup>2</sup>/s)

**► MATERIALS IN CONTACT WITH FLUID**

Body Brass  
 Sealing FPM  
 Internal components Stainless steel  
 Seat Brass  
 Core tube Stainless steel  
 Shading coil Copper

**► COIL**

Approval  
 Encapsulation material  
 Insulation class  
 Ambient temperature  
 Continuous duty  
 Electric connection  
 Protection degree  
 Voltages DC AC

ZB10A	ZB12A	ZB14A
/	UL and CSA	UL and CSA
PA fiberglass reinforced	PET fiberglass reinforced	PET fiberglass reinforced
F (155°C)	F (155°C)	H (180°C)
-10°C +60°C	-10°C +60°C	-10°C +75°C
ED 100%		
DIN 46340 - 3 poles plug connector		
IP 65 (EN 60529) with plug connector	IP 67 (EN 60529) with plug connector	IP 67 (EN 60529) with plug connector
12-24V (+10% -5%)		
24V/50-60Hz - 115V/50Hz - 230V/50-60Hz (+10% -15%)		
(Other voltages and frequencies on request).		

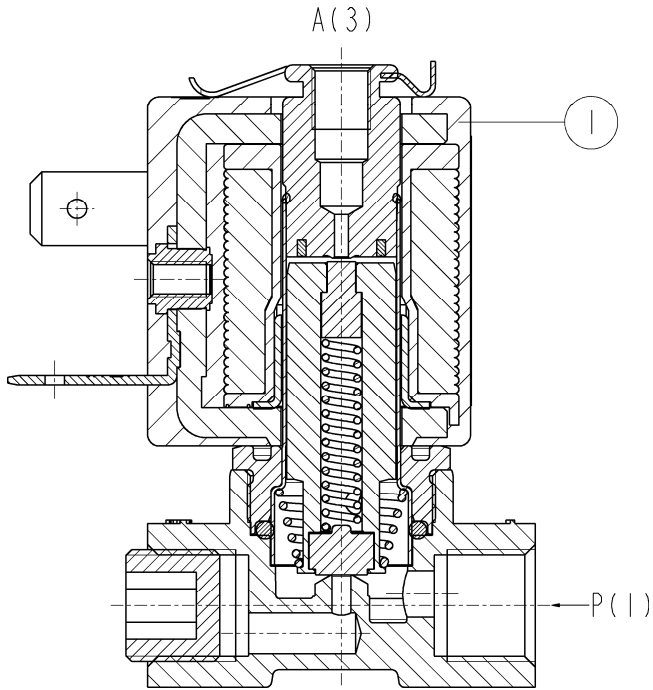
Port size ISO 228	Orifice size (mm)	Differential pressure (bar)						Kv (m <sup>3</sup> /h)	Series and type		Power absorption				Sealings	Notes	Weight (kg)
		Δp min	Δp max				AC (VA)				DC						
			Gases		Liquids		Inrush		Holding								
			AC	DC	AC	DC				VA		VA	W	W			
G1/8	1,2	0	10	10	10	10	0,05	L272V03	ZB10A ZB12A	12	6	4	5,5	FPM	1	0,160	

**► NOTES**

- Sealings: FPM = Fluoro-carbon elastomer
  - On request: - version with manual override: L272V01
  - sealings in EPDM (Ethylene-propylene elastomer): L272D03
  - body valve in stainless steel AISI 316: L272V07
  - body valve with special surface treatments
  - coil in class H (ZB14A – see § "COIL")
  - grease/oil free versions
- 1 – ZB12 and ZB14 coils fitted with sealing gaskets underneath and on the upper part (see sectional view on the back)

► SPARE PARTS

WITH ZB10A COIL



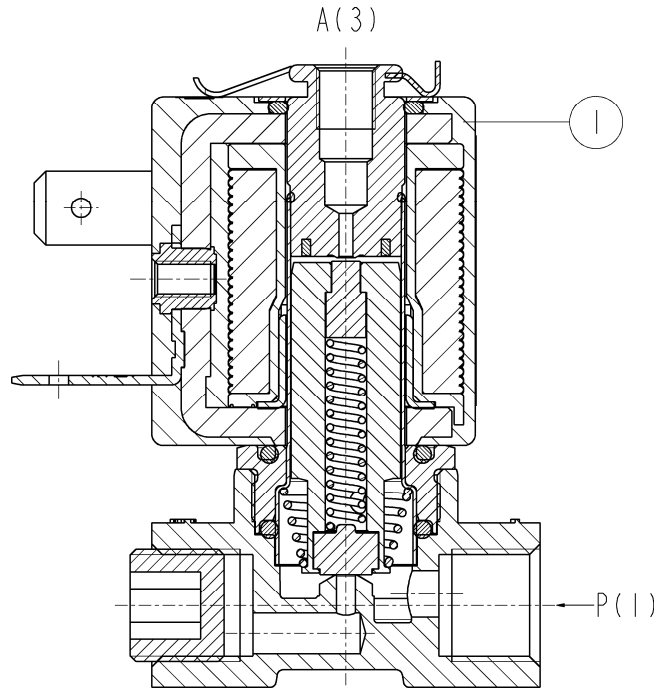
Kit description

Coil

Kit P.N.

ZB10A  
ZB12A  
ZB14A

WITH ZB12A – ZB14A



Consisting of:

Coil pos.1

► INSTALLATION

- Solenoid valve can be mounted in any position; vertical with coil upwards preferred.