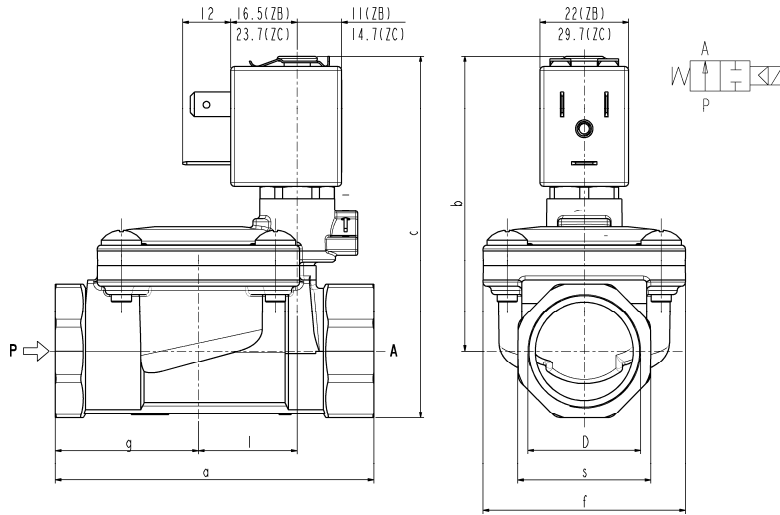




**SOLENOID VALVE**  
**2/2- NO (Normally open)**  
**Pilot operated**  
**G3/8 ÷ G1**

**L282**  
**STAINLESS STEEL**



D	a	b	c	f	g	l	s
G 3/8	60	67	78	40	25,5	20	22
G 1/2	66	69	83	40	29	20	27
G 3/4	79	73,5	90	50	35,5	24,5	33
G 1	105	86	107	71	46	28	42

► **GENERAL FEATURES**

Diaphragm valve, pilot operated, having full orifice.  
 Suitable to shut off liquid and gaseous fluids (verify the compatibility of fluid with material in contact).

► **TECHNICAL FEATURES**

Maximum allowable pressure (PS)	20bar
Opening time	from ~300ms to ~1500ms
Closing time	from ~1000ms to ~2000ms
Fluid temperature	-10°C +90°C (NBR) 0°C +130°C (FPM)
Max viscosity	5°E (~37 cStokes or mm <sup>2</sup> /s)

► **MATERIALS IN CONTACT WITH FLUID**

Body	Stainless steel AISI 316L
Sealing	NBR or FPM
Internal components	Stainless steel
Seat	Stainless steel AISI 316L
Core tube	Stainless steel
Shading coil	Copper

► **COIL**

Approval  
 Encapsulation material  
 Insulation class  
 Ambient temperature  
 Continuous duty  
 Electric connection  
 Protection degree  
 Voltages DC  
 AC

ZB12K ZC12A	ZB14K ZC14A
▲ UL and CSA	
PET fiberglass reinforced	
F (155°C)	H (180°C)
-10°C +60°C	-10°C +75°C
ED 100%	
DIN46340 - 3 poles plug connector (EN 75301-803 for ZC)	
IP 67 (EN 60529) with plug connector	
ZC: 12-24V (+10% -5%)	
ZB: 24V/50-60Hz - 120V/60Hz - 230V/50-60Hz - 220-230/50Hz 208-240/60Hz (on request) - (+10% -15%)	
(Other voltages and frequencies on request)	

▲ : approvals valid for ZB12K – ZB14K only

Port size ISO 228	Orifice size (mm)	Differential pressure (bar)				Kv (m <sup>3</sup> /h)	Series and type		Power absorption				Sealings	Notes	Weight (kg)				
		Δp max					Valve	Coil	AC (VA)			C							
		Δp min	Gas		Liquids				Inrush VA	Holding VA	W					W			
3/8	13,5		0,35	12	12	-	-	ZB12K	11,7	10	7,6	-	-	-	-	NBR	0,30		
1/2		FPM																	
3/4	18	10		10	5	NBR	0,50												
		FPM																	
1	24	12		12	12	NBR										1,09			
		FPM																	
3/8	13,5	-		12	12	-		-	ZC12A	-	-	-	5,5	-	-		-	NBR	0,37
																		FPM	
1/2	18			10	10	5	NBR	0,41											
				FPM															
3/4	18			12	12	12	NBR									0,56			
				FPM															
1	24		10	10	12	NBR	1,16												
			FPM																

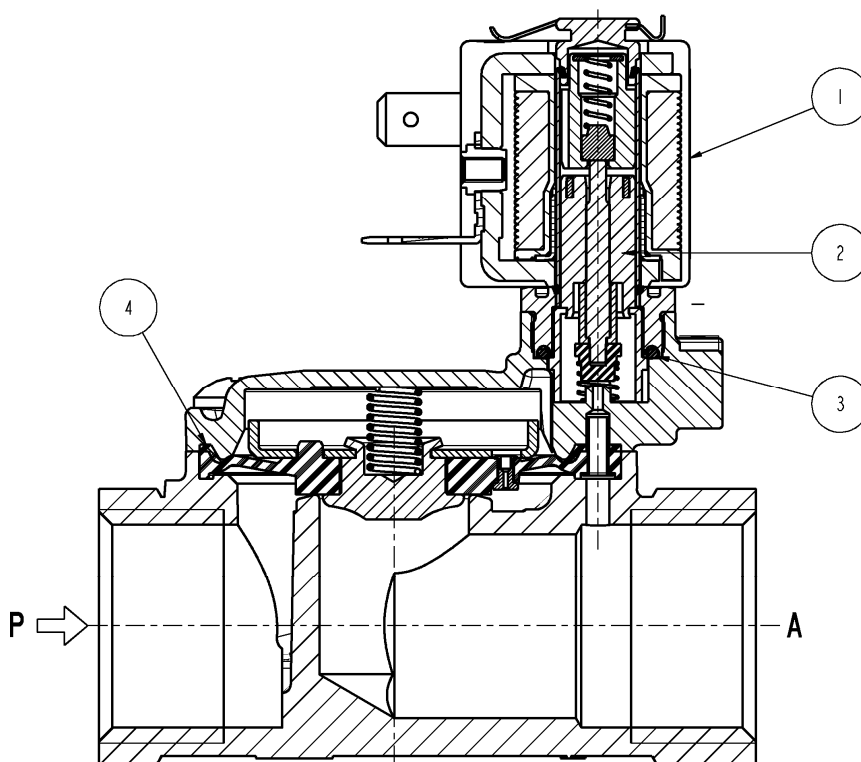
► **NOTES**

- Sealings: NBR = Nitrile-butylene elastomer FPM = Fluoro-carbon elastomer
- Operation with gaseous media, at high pressure without any outlet restriction, can reduce the diaphragm life.
- On request coil in class H (ZB14K – ZC14A – see § "COIL")
- On request **WRAS** certified solenoid valve with EPDM sealing (certificate n° 1411048).

# L282

STAINLESS STEEL

► SPARE PARTS



Kit description		Kit P.N.	Consisting of:
Actuator kit		G3141901	Actuator kit pos.2 O-Ring guide assembly pos. 3
Diaphragm assembly	L282B	G3/8-1/2	Diaphragm assembly pos.4
		G3/4	
		G1	
	L282V	G3/8-1/2	
	G3/4		
	G1		
Coil		ZB ZC	Coil pos.1

► INSTALLATION

- Solenoid valve can be mounted in any position; vertical with coil upwards preferred.

THE VALIDITY OF REPORTED DATA IS REFERRED TO THE DATE OF ISSUE. POSSIBLE UPDATES ARE AVAILABLE ON REQUEST