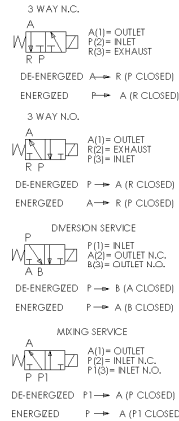
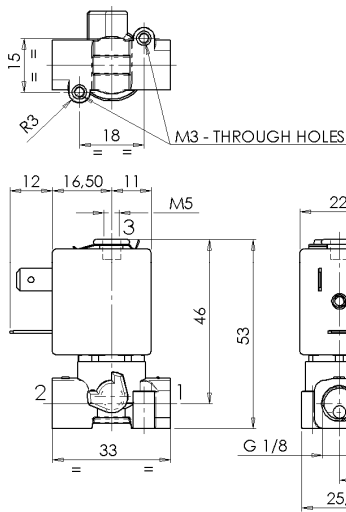




**SOLENOID VALVE**  
**3/2- NC - NO - US (Universal service)**  
**Direct acting**  
**G 1/8**

L372



**► GENERAL FEATURES**

Direct acting solenoid valve.  
Available also integrated on manifold (2÷10 actuators), see the technical data sheet L872.  
Suitable to shut off liquid and gaseous fluids (verify the compatibility of fluid with material in contact)

**► TECHNICAL FEATURES**

Maximum allowable pressure (PS)	50bar
Opening time	~10ms
Closing time	~10ms
Fluid temperature	0°C +130°C
Max viscosity	5°E (~37 cStokes o mm <sup>2</sup> /s)

**► MATERIALS IN CONTACT WITH FLUID**

Body	Brass	Seat	Brass
Sealing	FPM	Core tube	Stainless steel
Internal components	Stainless steel	Shading coil	Copper

**► COIL**

*Approval*

*Encapsulation material*

*Insulation class*

*Ambient temperature*

*Continuous duty*

*Electric connection*

*Protection degree*

*Voltages*      DC  
                         AC

	ZB10A	ZB12A	ZB14A
	/	UL and CSA	UL and CSA
	PA fiberglass reinforced	PET fiberglass reinforced	PET fiberglass reinforced
	F (155°C) -10°C +60°C	F (155°C) -10°C +60°C	H (180°C) -10°C +75°C
	ED 100%		
	DIN 46340- 3 poles plug connector		
	IP 65 (EN 60529) with plug connector	IP 67 (EN 60529) with plug connector	IP 67 (EN 60529) with plug connector
	12-24V (+10% -5%)		
	24V/50-60Hz - 115V/50Hz - 230V/50-60Hz (+10% -15%)		
	(Other voltages and frequencies on request).		

Port size ISO 228	Orifice size (mm)		Differential pressure (bar)				Kv (m <sup>3</sup> /h)		Series and type		Power absorption				Sealings	Notes	Weight (kg)	
			Δp min	Δp max							AC (VA)		DC					
				Gases		Liquids								Inrush				Holding
1↔2	1↔3	c.a.	c.c.	c.a.	c.c.	1↔2	1↔3	Valve	Coil	VA	VA	W	W					
<b>NC – Normally closed</b>																		
G 1/8	1,2	1,2	0	15	15	15	15	0,05	0,05	L372V03C	ZB10A ZB12A	12	6	4	5,5	FPM	1	0,155
	1,6	1,2		10	10	10	10	0,08	0,05									
	2	1,2		5	5	5	5	0,1	0,05									
	2,4	1,2		4	4	4	4	0,13	0,05									
<b>NO – Normally open</b>																		
G 1/8	1,6	1,2	0	8,5	8,5	8,5	8,5	0,08	0,05	L372V03A	ZB10A ZB12A	12	6	4	5,5	FPM	1	0,155
<b>US – Universal service</b>																		
G 1/8	1,2	1,2	0	7	7	7	7	0,05	0,05	L372V03G	ZB10A ZB12A	12	6	4	5,5	FPM	1	0,155
	1,6	1,2		4,5	4,5	4,5	4,5	0,08	0,05									
	2	1,2		3	3	3	3	0,1	0,05									
	2,4	1,2		2	2	2	2	0,13	0,05									

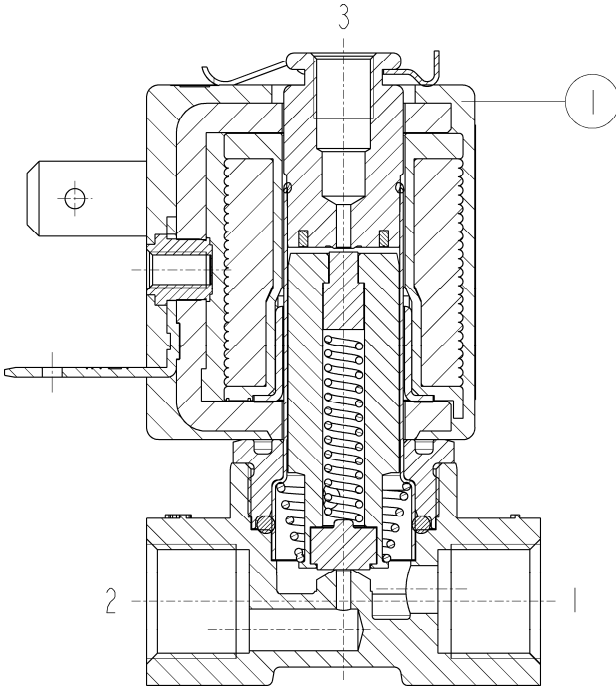
**► NOTES**

- Sealings: FPM = Fluoro-carbon elastomer
- On request: - version with manual override: L372V01
  - sealings in EPDM (Ethylene-propylene elastomer): L372D03
  - body valve in stainless steel AISI 316: L372V07
  - body valve with special surface treatments
  - coil in class H (ZB14A – see § "COIL")
  - grease/oil free versions

1 – ZB12 and ZB14 coils fitted with sealing gaskets underneath and on the upper part (see sectional view on the back)

► SPARE PARTS

WITH ZB10A COIL



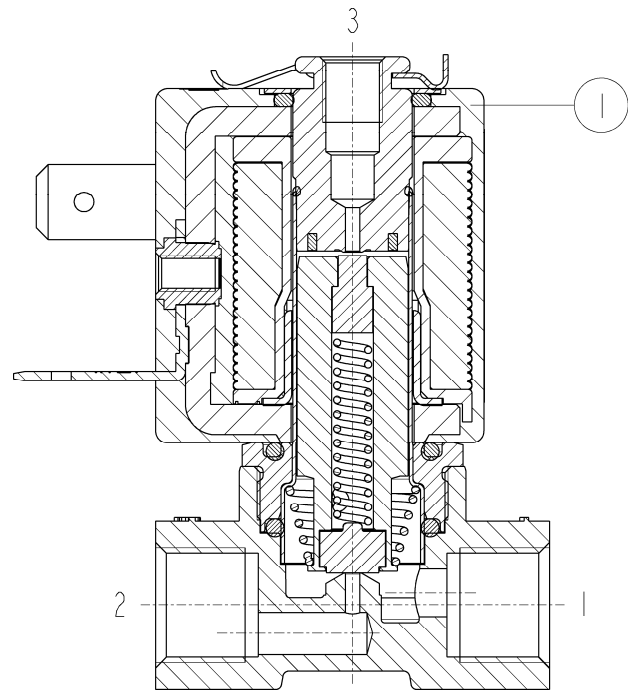
Kit description

Coil

Kit P.N.

ZB10A  
ZB12A  
ZB14A

WITH ZB12A – ZB14A



Consisting of:

Coil pos.1

► INSTALLATION

- Solenoid valve can be mounted in any position; vertical with coil upwards preferred.