

MD Valve

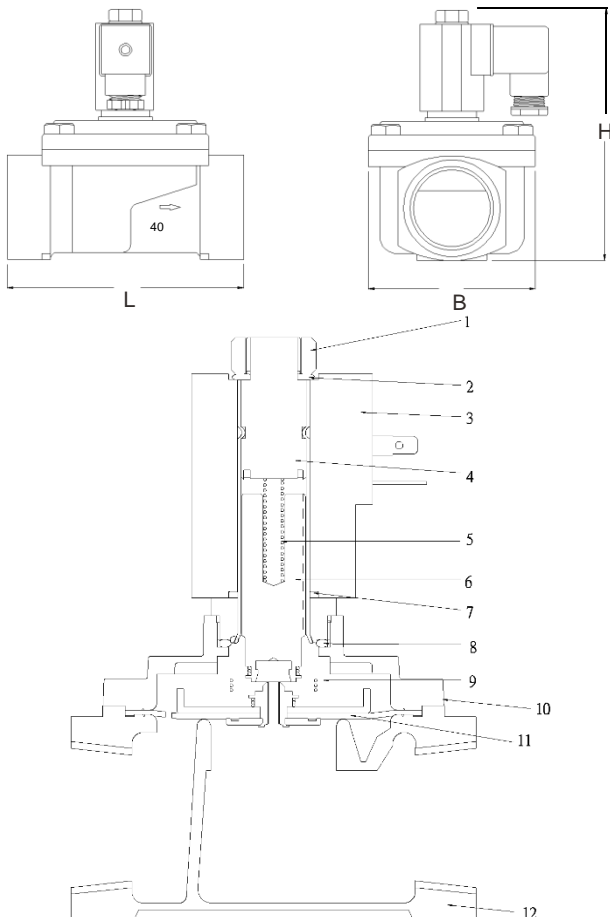
Assisted Lift Two-Way Normally Closed Stainless Steel Solenoid Valve



Features:

- Suitable for air, inert gases, vacuum (10 TORR), water, diesel petroleum and oil (Below 50 cst.) (Including certain aggressive fluids).
- Viton (FKM) seal as standard with EPDM & NBR as options.
- Diaphragm-operated, pressure range from vacuum (10 TORR) up to 10 bar, quick acting (100mS Max).
- Ambient temperature -30°C to +40°C.
- Can be mounted in vertical and horizontal position.

Model	Connection BSPT	Orifice (mm)	Cv Value	Operating pressure (kg*f/cm ²)		Max. Media Temp.	Power Consumption VA	H	L	B
				Air, Water Inert gases	Oil (Below 50cst)					
MD-10SCS14-M16	3/8"	16	3.7	0-10	0-7	90	26(DC) 35(AC)	52	70	57
MD-15SCS14-M16	1/2"	16	3.7					52	70	57
MD-20SCS14-M16	3/4"	23	6.3					62	80	65
MD-25SCS14-M16	1"	28	8					72	90	74
MD-32SCS14-M16	1-1/4"	32	13					136	120	83
MD-40SCS14-M16	1-1/2"	40	20.3					146	136	97
MD-50SCS14-M16	2"	50	32					156	160	113



N.O.	Descriptions	Material
1	NUT	Aluminum
2	O ring	NBR
3	IP 65 moulded coil	
4	Packless a'ssy	SS 304, KM-31
5	Plunger spring	SS 304
6	Plunger	KM-31
7	O ring	NBR
8	O ring	Viton (FKM)
9	Spring	SS 304
10	Valve bonnet	SS 316
11	Diaphragm a'ssy	SS 304, Viton (FKM)
12	Valve body	SS 316