

## BALL VALVES

### Stark Wafer - manual valves

### Stainless steel PN16-40 - manual valves

features

features & benefits

dimensions, materials and codes



## Features

### Standard features

Floating ball, full bore

Soft-seat seal: PTFE+15% glass filled

Standard for connecting flanges: EN 1092-1;

Operating temperature: -20 °C / +150 °C

Pressure class: PN16-40

Intercepted fluid: air, water, gas, petroleum and petrochemical products, aggressive fluids

Antistatic device EN12266-2

Stem seal: PTFE V-pack

Additional seal on stem with FKM O-ring

Anti Blow-out stem

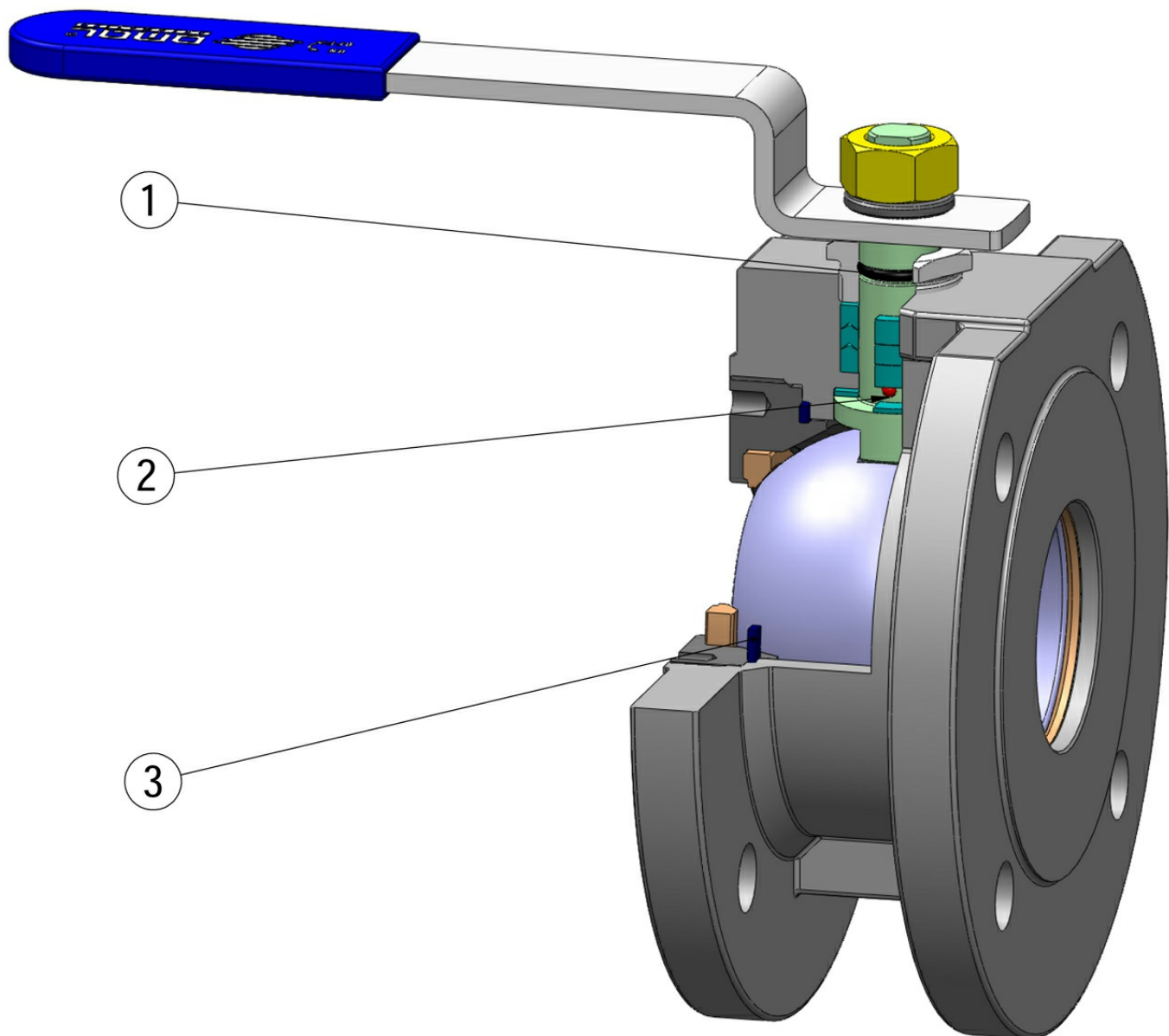
### Certifications

In compliance with European Directive 97/23 EC PED;

In compliance with ATEX 94/9/CE Directive

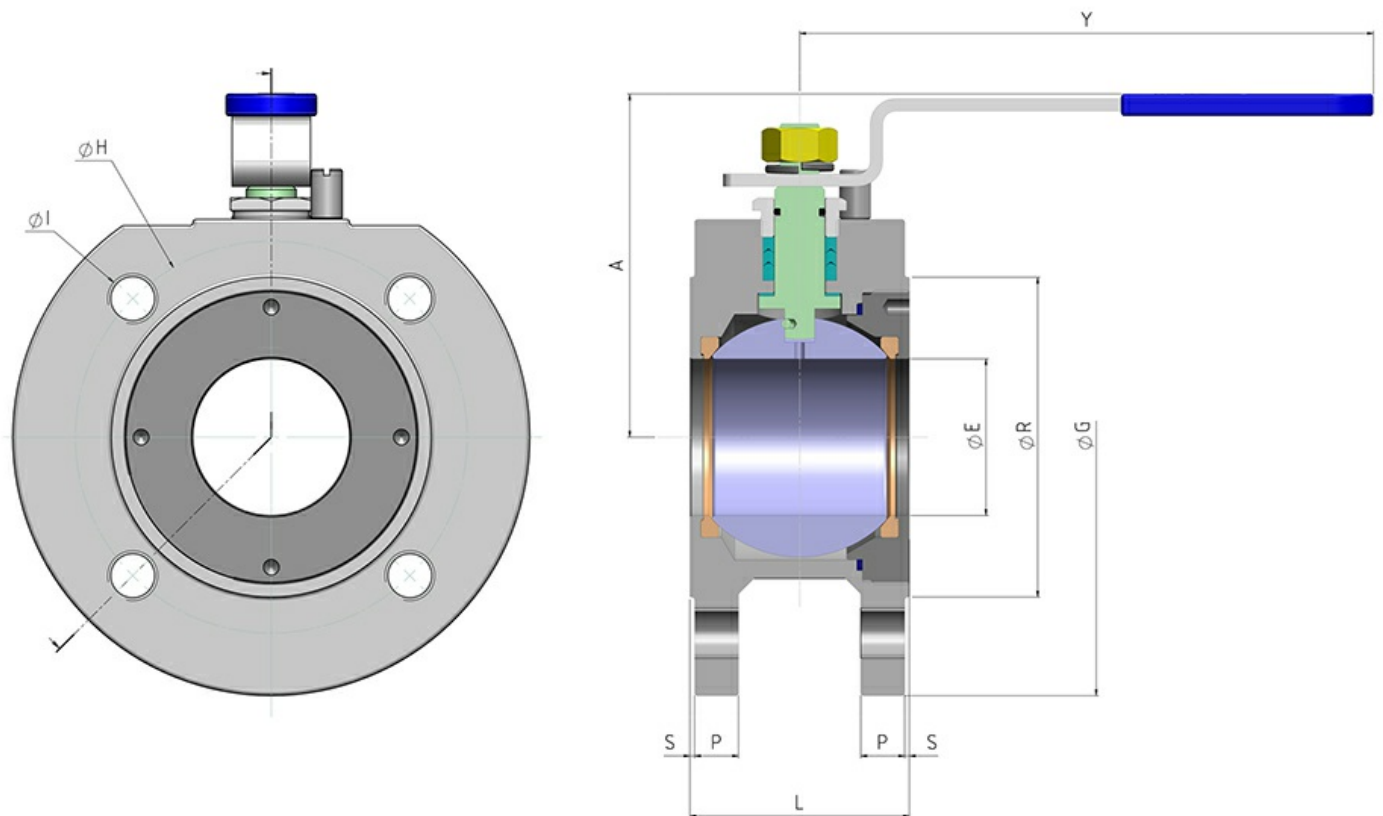
FIRE SAFE: API 607 - EN ISO 10497

## Features & Benefits



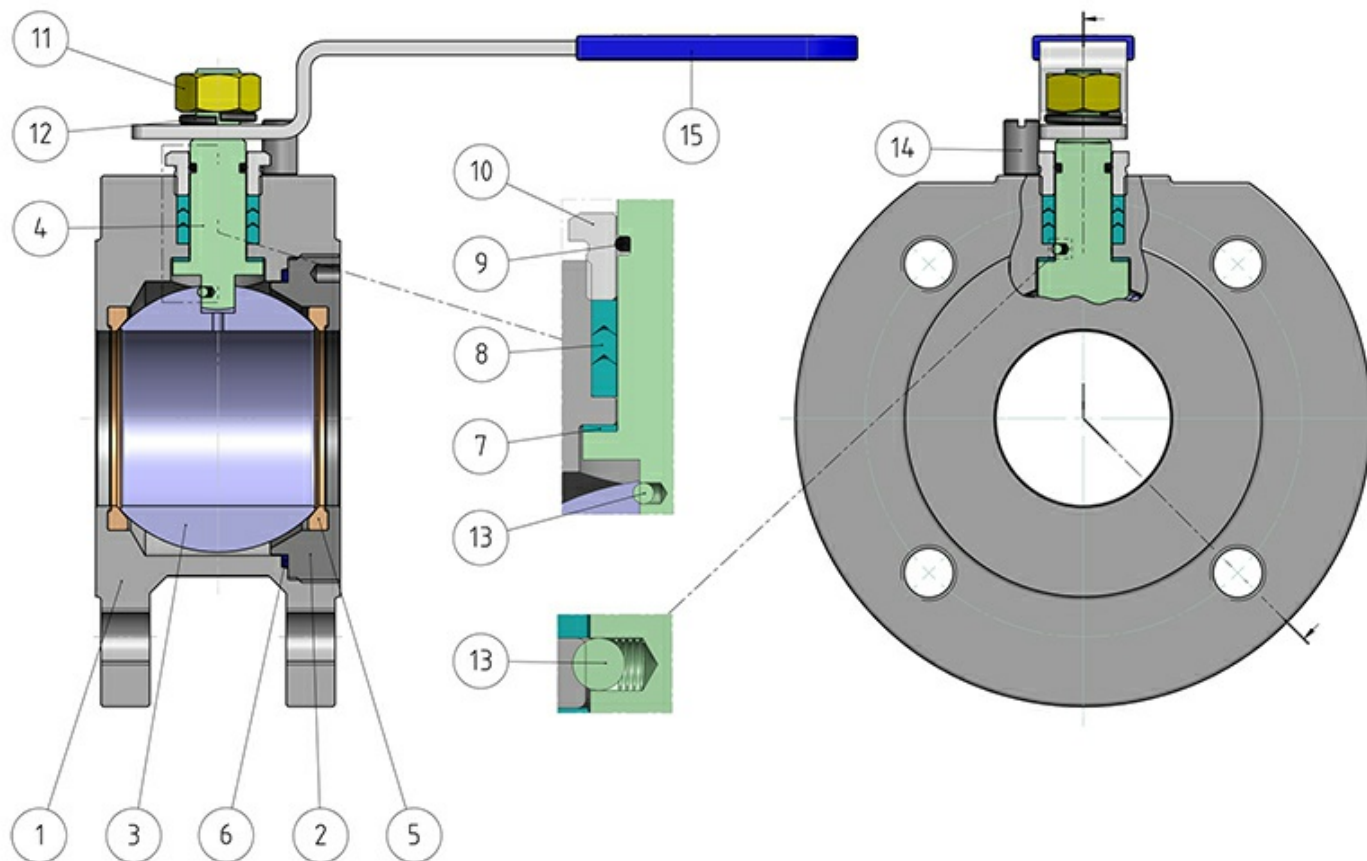
FEATURES & BENEFITS		
1	Additional Oring on the stem	To grant additional tightness towards outside
2	Antistatic device (electrical continuity between ball, stem and body)	Static electricity is avoided which can cause sparks and fire in an inflammable/explosive environment Safety of the contact is granted throughout the entire life of the valve
3	Stretch Graphite seal	Tightness towards outside is granted, independently by the thermal excursions to which the valve is subjected
	CASTED line	Lighter Weight
	"Fire safe" Certificate	Guarantees the tightness of the valve also in case of fire
	ATEX Certificate	Installation is possible in a potential explosive environment
	PED Certificate	Compliance with European Safety Standards for Pressure Equipment

## Dimensions, materials and codes



### DIMENSIONS TABLE AND CODES

SIZE	PN	Codes Stainless steel CF8M	ØE	A	Y	ØG	ØR	S	P	ØH	N° Holes	ØI	Kg	L
DN 15	PN16-40	LST04F00AE	15	70	153	88	45	1	6	65	4	M12	1,2	36
DN 20	PN16-40	LST05F00AE	20	70	153	98	58	1	6	75	4	M12	1,4	38
DN 25	PN16-40	LST06F00AE	25	80	152,5	108	68	1,75	7	85	4	M12	2	43
DN 32	PN16-40	LST07F00AE	32	87	152,5	128	78	1,5	7	100	4	M16	2,9	51
DN 40	PN16-40	LST08F00AE	38	102	181	150	88	1,5	13	110	4	M16	4,4	63
DN 50	PN16-40	LST09F00AE	50	108	181	165	102	1,5	14	125	4	M16	5,5	70
DN 65	PN10-16	LST10E00AE	65	143	287,5	186	123	1,5	13,5	145	4	M16	10,1	107
DN 80	PN16-40	LST11F00AE	76	152	287,5	200	138	3	21	160	8	M16	13	120
DN100	PN10-16	LST12E00AE	96	168	322	220	158	2,5	17	180	8	M16	19,7	152



#### MATERIALS - B.O.M.

N°	Description	Stainless Steel version
1	Body	ASTM A351 CF8M (1.4408/GX5CrNiMo19-12-2)
2	Ring nut	
3	Ball	ASTM A351 CF8M (1.4408/GX5CrNiMo19-12-2)
4	Stem	ASTM A276 316
5	Seats	PTFE + 15% GLASS FILLED
6	Body-connector gasket	GRAPHITE
7	Stem lower sealing	PTFE
8	Chevron pack	
9	Stem o-ring	FKM
10	Gland Nut	304 s.s.
11	Stem Nut	
12	Spring lock washer	STAINLESS STEEL
13	Antistatic device	
14	Stop pin	304 s.s.
15	Lever	STAINLESS STEEL