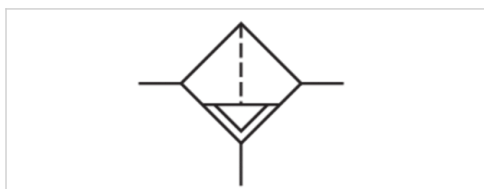


Standard filter, Series AS1-FLS

- G 1/4
- Air supply left
- filter porosity 5 μm



Version	Standard filter, Can be assembled into blocks
Parts	Filter
Mounting orientation	vertical
Working pressure min./max.	1,5 ... 12 bar
Ambient temperature min./max.	-10 ... 50 °C
Medium temperature min./max.	-10 ... 50 °C
Medium	Compressed air Neutral gases
Filter reservoir volume	16 cm ³
Filter element	exchangeable
filter porosity	5 μm
Condensate drain	See table below
Weight	See table below

Technical data

Part No.	Port	Flow Qn	Condensate drain	Reservoir
R412014600	G 1/4	1000 l/min	semi-automatic, open without pressure	Polycarbonate
R412014601	G 1/4	1000 l/min	fully automatic, open without pressure	Polycarbonate
R412014602	G 1/4	1000 l/min	fully automatic, closed without pressure	Polycarbonate
R412014603	G 1/4	1000 l/min	semi-automatic, open without pressure	Polycarbonate
R412014604	G 1/4	1000 l/min	semi-automatic, open without pressure	metal
R412014605	G 1/4	1000 l/min	fully automatic, open without pressure	metal
R412014606	G 1/4	1000 l/min	fully automatic, closed without pressure	metal

Part No.	Protective guard	Material Reservoir	Weight
R412014600	-	reservoir, polycarbonate, without protective guard	0,166 kg
R412014601	-	reservoir, polycarbonate, without protective guard	0,184 kg
R412014602	-	reservoir, polycarbonate, without protective guard	0,184 kg
R412014603	metal	reservoir, polycarbonate, with metal protective guard	0,193 kg
R412014604	-	Metal reservoir without window	0,243 kg
R412014605	-	Metal reservoir without window	0,255 kg
R412014606	-	Metal reservoir without window	0,255 kg

Nominal flow Qn with secondary pressure p₂ = 6 bar at Δp = 1 bar

Technical information

The pressure dew point must be at least 15 °C under ambient and medium temperature and may not exceed 3 °C .

Note: Polycarbonate reservoirs are susceptible to solvents, supplementary information can be found at "Customer information".
Also suitable for separation of fluid oil or water due to the design.

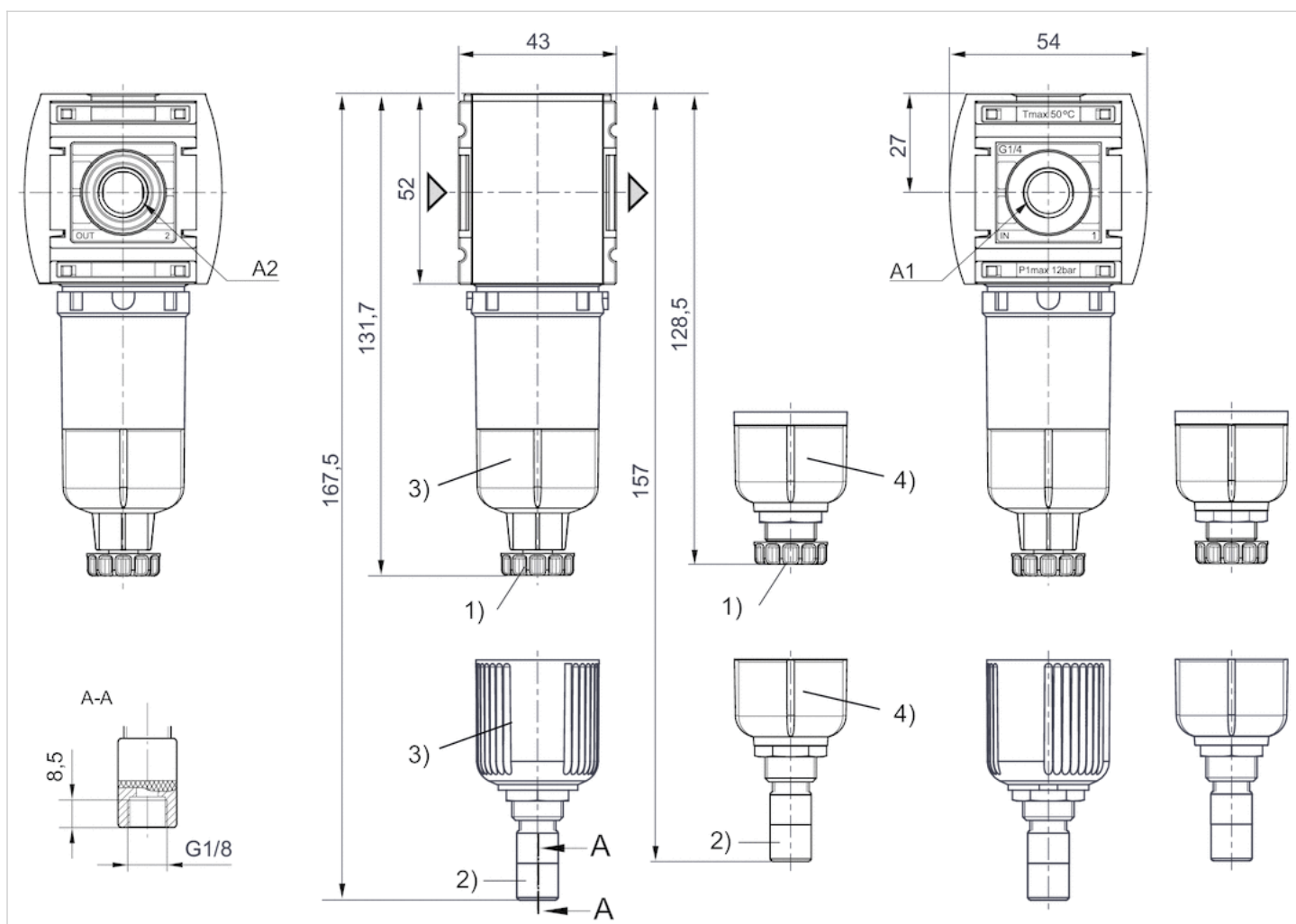
Max. achievable compressed air class acc. to ISO 8573-1:2010 6 : 7 : -

Technical information

Material	
Housing	Polyamide
Front plate	Acrylonitrile butadiene styrene
Seals	Acrylonitrile butadiene rubber
Threaded bushing	Die cast zinc
Reservoir	Polycarbonate metal
Protective guard	metal
Filter insert	Cellpor

Dimensions

Dimensions



A1 = input

A2 = output

1) Semi-automatic condensate drain

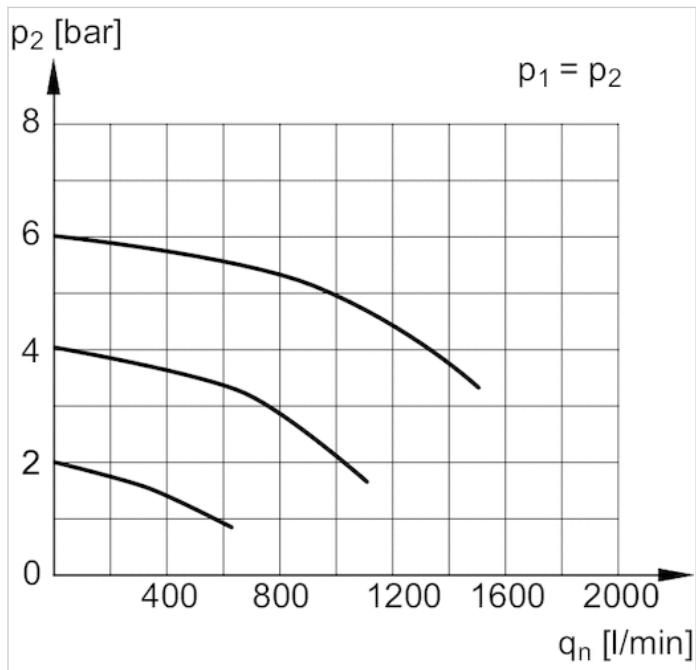
2) Fully automatic condensate drain

3) Reservoir: polycarbonate

4) Reservoir: metal

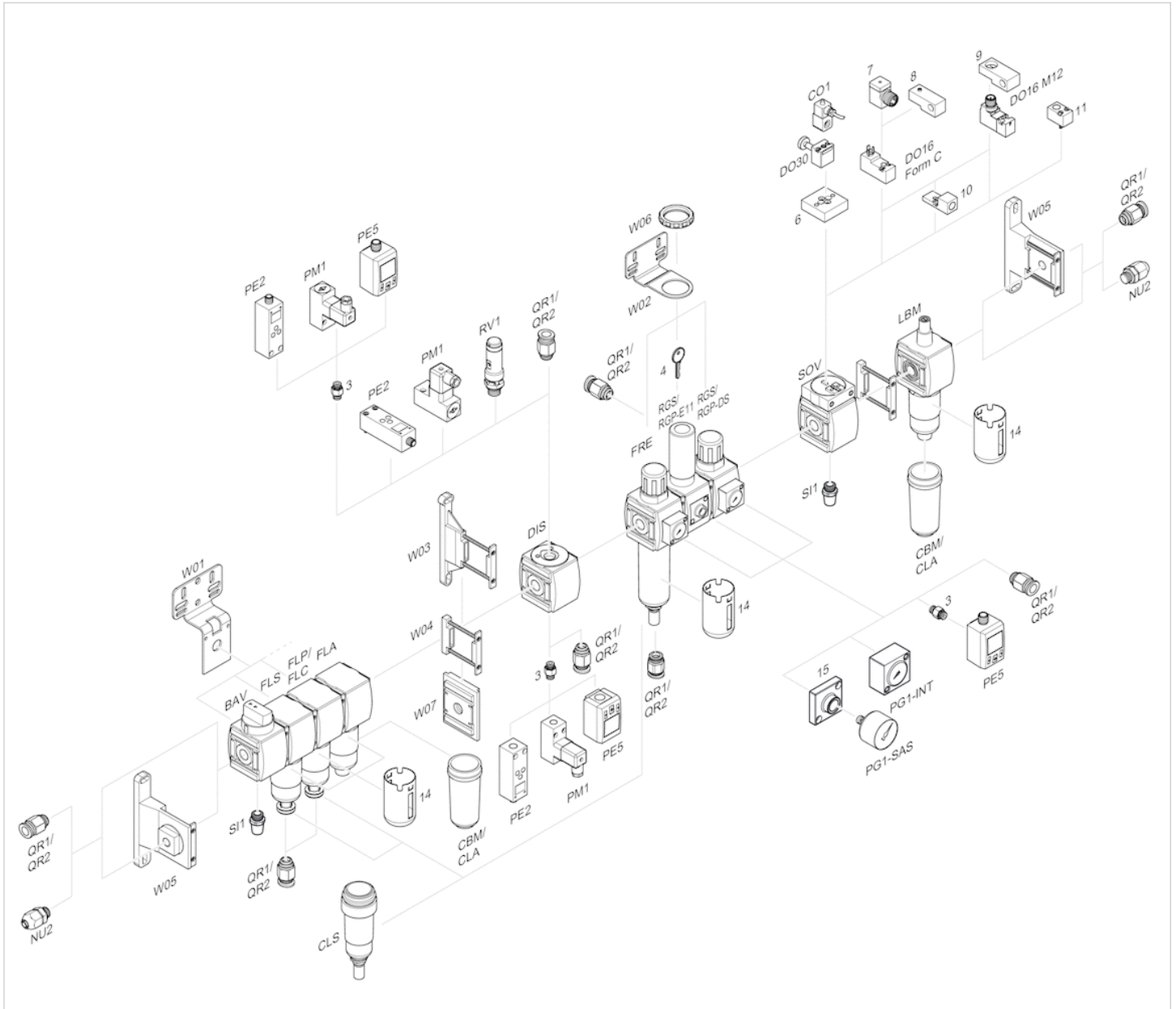
Diagrams

Flow rate characteristic



p1 = working pressure
p2 = secondary pressure
qn = nominal flow

Accessories overview



- 3 = Double nipple
- 4 = Key for E11 locking
- 6 = Transition plate DO30
- 7 = Adapter, Series CON-VP
- 8 = Mounting aid DO16, form C
- 9 = Mounting aid DO16, M12
- 10 = Adapter for external pilot air
- 11 = Adapter pneumatic operation
- 14 = Protective guard
- 15 = Transition plate for assembling a pressure gauge with connection thread G 1/8