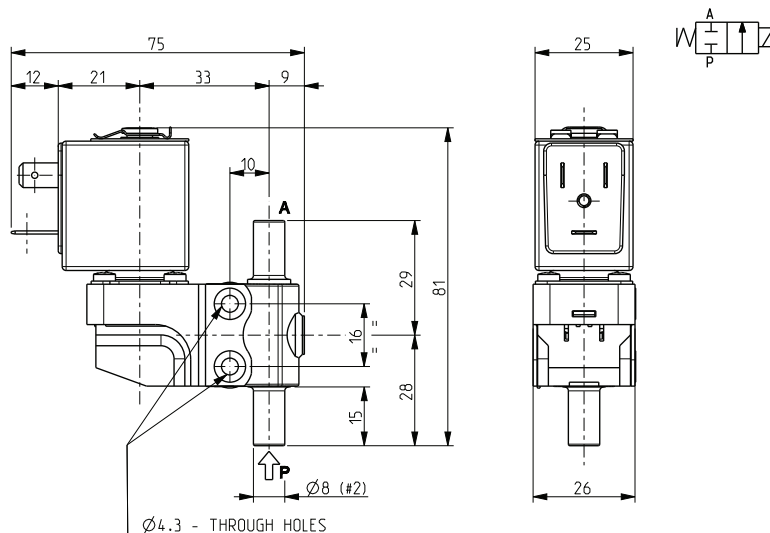


ASCO™ SOLENOID VALVE - DRY

2/2 NORMALLY CLOSED - DIRECT ACTING - TOTAL ISOLATION - BARBED PORT

SERIES
D118



General Features

Direct acting, total isolation solenoid valve; the actuator is totally isolated from the fluid so that the wetted parts are just the body and the lever-seal.
Possibility of disassembling for inspection.
Core duly coated by PTFE (polytetrafluoroethylene) based self lubricating material.
Suitable to shut off liquid and gaseous fluids (verify the compatibility of fluid with materials in contact).

Technical Features	
Maximum allowable pressure (PS)	12 bar
Opening time	~25ms
Closing time	~25ms
Fluid temperature	-10°C +100°C
Max viscosity	5°E (~37 cStokes or mm ² /s)

Materials in Contact with Fluid	
Body	PEI (Polyetherimide)
Sealing	VMQ or FPM or EPDM

Approvals

NSF certified – only for D118D03



Coil		
Continuous Duty	ED 100%	
Encapsulation material	PET (polyethylene terephthalate) fiberglass reinforced	
Insulation class	F (155°C)	
Ambient temperature	-10°C +60°C	
Electric connections	DIN 46340 - 3 poles connector	
Protection degree	IP 65 (EN 60529) with plug connector	
Voltages	DC	12-24V (+10% -5%)
	AC	24V/50-60Hz - 110V/50-60Hz (120V/60Hz) 230V/50-60Hz (+10% -15%) (Other voltages and frequencies on request)
On request	UL approved version (see notes)	

Port size	Orifice size (mm)	Differential pressure (bar)				Kv (m ³ /h)	Series and type		Power absorption			Sealings	Notes	Weight (kg)									
		Δp min	Δp max		Valve		Coil	AC (VA)		DC (W)													
			Gases	Liquids				Inrush	Holding														
Barbed port	2,7	0	AC	DC	AC	DC	D118D03 D118S03 D118V03 D118D03 D118S03 D118V03	Z610A	16	10	6	EPDM VMQ FPM	1	0,150									
			10	10	5	5																	
			5	5	10	10																	
	3,4		3	AC	DC	AC									DC	D118D03 D118S03 D118V03	Z610A	16	10	6	EPDM VMQ FPM	-	0,150
				6	6	3									3								
				3	3	6									6								

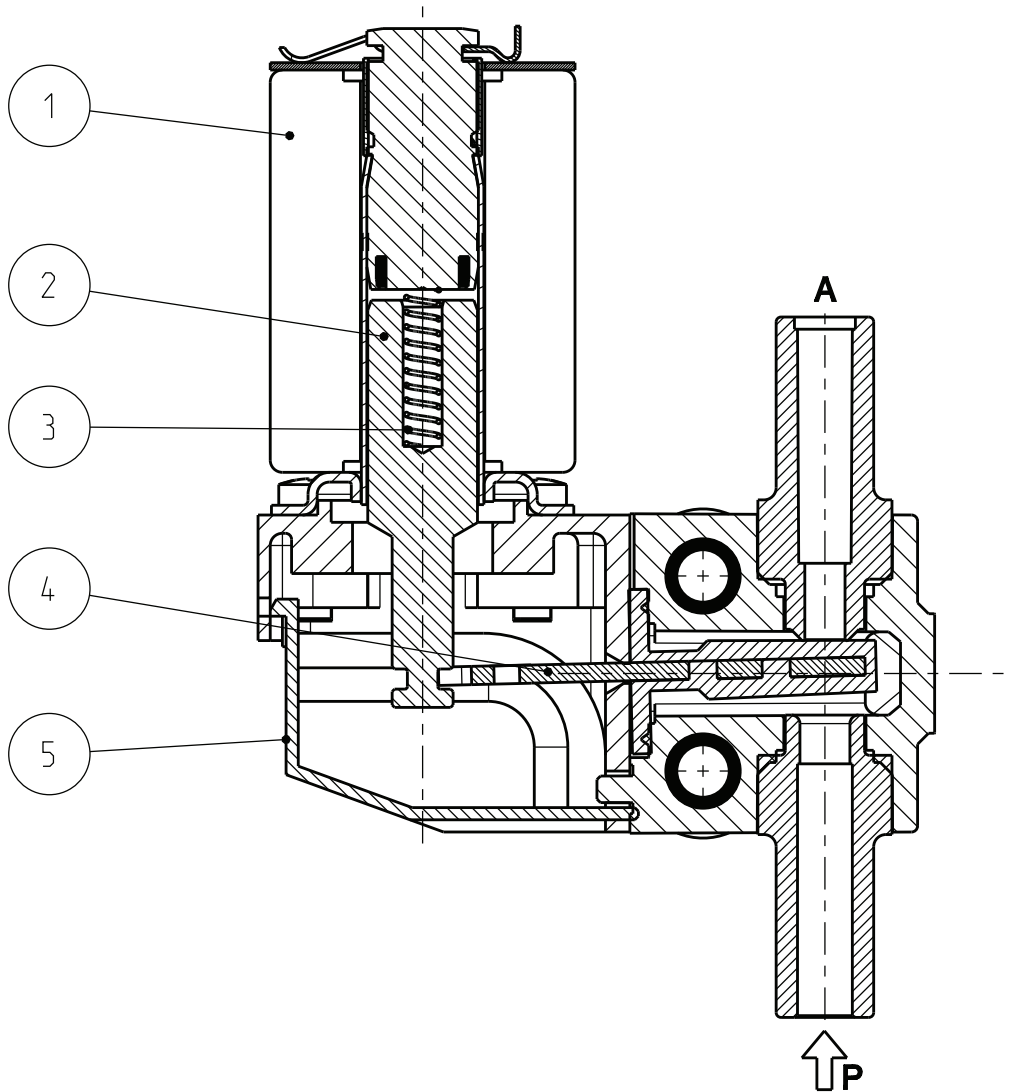
Notes

- Sealings : FPM = Fluoro-carbon elastomer VMQ = Silicone elastomer EPDM = Ethylene-propylene elastomer
- On request UL approved coil (Z614A - class "H" - ambient temperature -10°C +60°C)
- 1 - Models available on request only: ask for minimum quantity.

SERIES
D118

ASCO™ SOLENOID VALVE - DRY
2/2 NORMALLY CLOSED - DIRECT ACTING - TOTAL ISOLATION - BARBED PORT

Spare Parts



Kit description	Model	Kit P.N.	Consisting of:
Core kit		G3049401	Core pos.2 Core return spring pos.3
Lever seal	D118D03	2815206R	Lever seal pos.4
	D118S03	2815202R	
	D118V03	2815203R	
Cover kit		G2883901	N. 10 cover pos. 5
Coil		Z610A	Coil pos. 1

Installation

- Solenoid valve can be mounted in any position.

THE VALIDITY OF REPORTED DATA IS REFERRED TO THE DATE OF ISSUE. POSSIBLE UPDATES ARE AVAILABLE ON REQUEST