

Electric Actuated Valves

E100 - 2 Way Electric Actuated Ball Valve



General Features

2 Way Electric Actuated Ball Valve

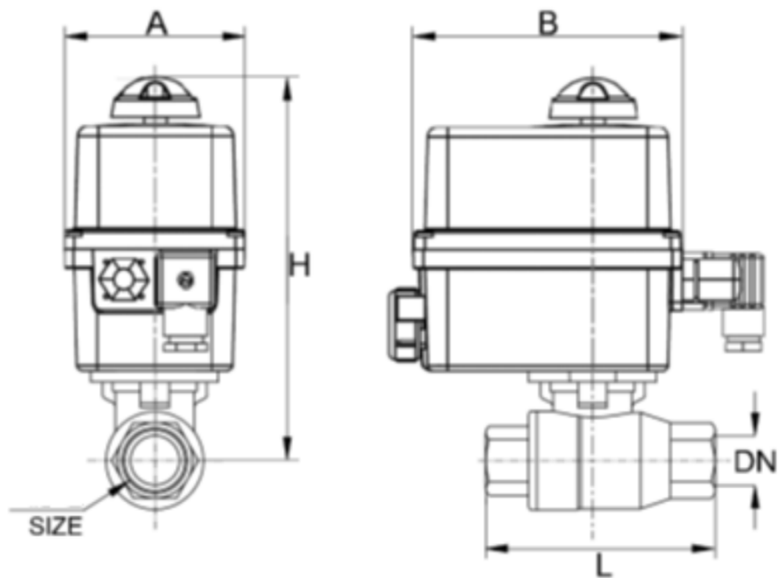
Rated IP66

Working pressure 16 bar

Working temperature from -20°C to +150°C for fluids

Fluid range: water, oil, gas and light applications

Threaded ends as per UNI/ISO 7/1 Rp (BSPT)



Valve Materials

Ball	Chromium plated brass
Body	PTFE
Top seal	PTFE
Ball seat	PTFE
Shaft	Nickel plated brass
O-rings	FKM

Additional Features

(Available on request)



ATEX



Battery Backup



Positioning

Overall Dimensions

Model	DN mm	Size	H mm	A mm	B mm	L mm	Weight kg
E100H003*	10	3/8"	181.5	92	136	69	1.18
E100H004*	15	1/2"	181.2	92	136	69	1.26
E100H005*	20	3/4"	188.3	92	136	77	1.44
E100H006*	25	1"	192.2	92	136	89	1.66
E100H007*	32	1 1/4"	202.5	92	136	103	2.40
E100H008*	40	1 1/2"	209.0	92	136	114	2.50
E100H009*	50	2"	216.3	92	136	134	4.63

* 'LP' - Low Voltage 12-48VDC 15-30VAC

* 'HP' - High Voltage 100-240VAC