

Electric Actuated Valves

E101 – 2 Way Electric Actuated Ball Valve



General Features

2 Way Electric Actuated Ball Valve

Rated IP66

Working pressure - see table below

Working temperature from -20°C to +150°C for fluids

Fluid range: air, water, oil, gas, petroleum

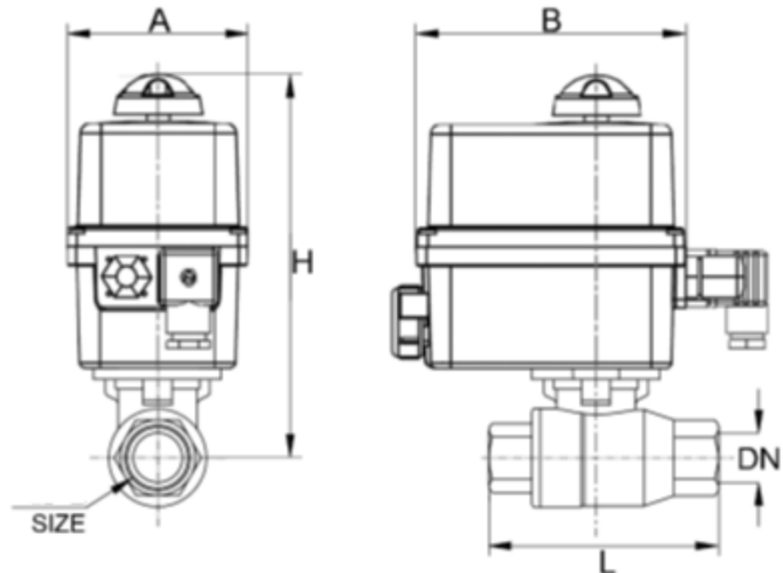
and petrochemical products, vacuum

Threaded ends as per UNI/ISO 7/1 Rp (BSPT)

Size	¾" - 1"	¾" - 1"	1¼" - 1½"	2"	2½" - 3"
Pressure bar	64	50	40	32	25

Valve Materials

Ball	Chromium plated brass
Body	PTFE
Top seal	PTFE
Ball seat	PTFE
Shaft	Nickel plated brass
O-rings	FKM



Additional Features

(Available on request)



ATEX



Battery Backup



Positioning

Overall Dimensions

Model	DN mm	Size	H mm	A mm	B mm	L mm	Weight kg
E101H003*	10	¾"	182.5	92	136	69	1.33
E101H004*	15	½"	182.5	92	136	69	1.29
E101H005*	20	¾"	188.3	92	136	77	1.43
E101H006*	25	1"	192.2	92	136	89	1.66
E101H007*	32	1¼"	203.5	92	136	103	2.07
E101H008*	40	1½"	210.0	128	136	114	2.52
E101H009*	50	2"	241.3	128	151	134	4.72
E101H010*	65	2½"	259.0	128	151	161	6.08
E101H011*	80	3"	258	170	170	185	12.48

* 'LP' - Low Voltage 12-48VDC 15-30VAC

* 'HP' - High Voltage 100-240VAC