

Electric Actuated Valves

E153 – 3 Way L-Port Electric Actuated Ball Valve



General Features

Electric Actuated Ball Valve

3 Way L-Port ball valve - only the centre port can be used as an inlet

Rated IP66

Working pressure 16 bar

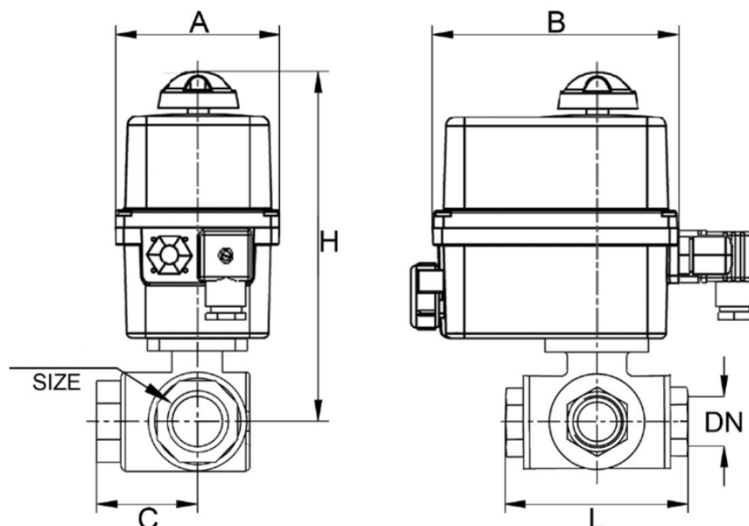
Working temperature from -20°C to +120°C

Fluid range: air, water, oil, gas, petroleum and petrochemical products

Threaded ends as per UNI/ISO 7/1 Rp (BSPT)

Valve Materials

Ball	Chromium plated brass
Body	PTFE
Top seal	PTFE
Ball seat	PTFE
Shaft	Nickel plated brass
O-rings	FKM



Additional Features

(Available on request)



ATEX



Battery Backup



Positioning

Overall Dimensions

Model	DN mm	Size	H mm	A mm	B mm	L mm	C mm	Weight kg
E153H003*	10	3/8"	182.5	92	136	69	33	1.38
E153H004*	15	1/2"	182.5	92	136	69	33	1.37
E153H005*	20	3/4"	188.3	92	136	77	38	1.44
E153H006*	25	1"	192.2	92	136	89	46	1.77
E153H007*	32	1 1/4"	203.5	92	136	103	54	2.20
E153H008*	40	1 1/2"	210.0	92	151	114	61	2.75
E153H009*	50	2"	241.3	128	151	134	73	5.95

* 'LP' - Low Voltage 12-48VDC 15-30VAC

* 'HP' - High Voltage 100-240VAC

Actuator set for divert service unless otherwise requested