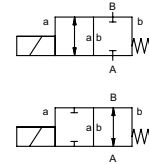


coaxial valve

type **MK 15** **FK 15**



2/2 way valve **direct acting**
pressure range PN 0-100 bar
orifice DN 15 mm
connection thread/flange
function valve
 normally closed
 symbol **NC**
 valve
 normally open
 symbol **NO**



⚠ Above stated body materials refer to the valve port connections that get in contact with the media only!

design pressure balanced, with spring return
body materials ① brass ② steel galvanized
 ③ brass, nickel plated ⑤ without non-ferr. Metals
 ④ steel, nickel plated ⑥ stainless steel
 ⑦ aluminium
valve seat synthetic resin on metal
seal materials NBR PTFE, FPM, CR, EPDM

details needed

- orifice
- port
- function NC/NO
- operating pressure
- flow rate
- media
- media temperature
- ambient temperature
- nominal voltage

general specifications

ports	MK	threads G 3/8 - G 3/4	special threads
	FK	flanges PN 16 / 40 / 100	special flanges
function		NC	NO
pressure range	bar	0-16 / 0-40 / 0-64 / 0-100	> 100 bar upon request
Kv value	m ³ /h	4,8	100 bar = 2,5
vacuum	leak rate		< 10 ⁻⁶ mbar·l·s ⁻¹
pressure-vacuum	P ₁ ⇔ P ₂		upon request
back pressure	P ₂ > P ₁		available (max. 16 bar)
media		gaseous - liquid - highly viscous - gelatinous - contaminated	
abrasive media			upon request
damping	opening		
	closing		available
flow direction	A ⇔ B	as marked	bi-directional (max. 16 bar)
switching cycles	1/min	200	
switching time	ms	opening 80 closing 80	
media temperature	°C	DC: -20 to +100 AC: -20 to +100	-40 to +160 -40 to +160
ambient temperature	°C	DC: -20 to +80 AC: -20 to +80	
limit switches			inductive / mech. (depend on temperature)
manual override			available
approvals			LR/GL/WAZ
mounting			mounting brackets
weight	kg	MK 3,8 FK 5,0	
additional equipment			upon request

options

electrical specifications

nominal voltage	U _n	DC 24 V	special voltage upon request
	U _n	AC 230 V 40-60 Hz	special voltage upon request
actuation	DC	direct-current magnet	
	AC	direct-current magnet with integrated rectifier	above 100 °C with separate rectifier
insulating rating	H	180°C	
protection	IP65		
energized duty rating	ED	100%	
connection		plug acc. DIN EN 175301-803 form A, 4 positions x90° / wire diameter 6-8 mm	terminal box M16x1,5
optional	M12x1	connector acc. DESINA	connector acc. VDMA
additional equipment		illuminated plug with varistor	
current consumption	N-coil	DC 24 V 1,60 A AC 230 V 40-60 Hz 0,15 A	
	H-coil		DC 24 V 2,30 A AC 230 V 40-60 Hz 0,24 A
explosion proof			
limit switches		inductive (I)	normally open-PNP
		inductive (B)	normally open-PNP
		mechanical	single pole double throw-SPDT

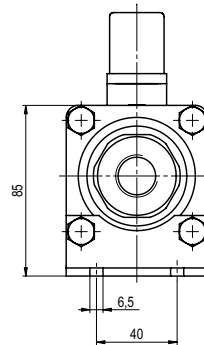
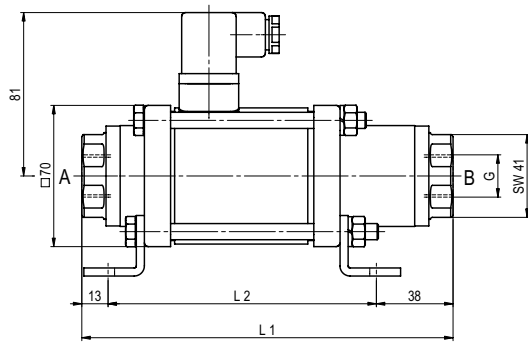
⚠ The valves' technical design is based on media and application requirements. This can lead to deviations from the general specifications shown on the data sheet with regards to the design, sealing materials and characteristics.

⚠ If order or application specifications are incomplete or imprecise there exists a risk of an incorrect technical design of the valve for the required application. As a consequence, the physical and / or chemical properties of the materials or seals used, may not be suitable for the intended application.

■ specifications not highlighted are standard
 ■ specifications highlighted in grey are optional

type **MK 15**

function: **NC**
closed when not energized



constructive length	L1	L2	L3
standard	184	133	241
with inductive limit switches	224	173	281
with manual override / inductive limit switches	224	173	281
with mechanical limit switches	224	173	281

flanges PN	DIN	ØD	Øk	Ød
16	EN 1092-1	95	65	14
40	EN 1092-1	95	65	14
100	EN 1092-1	105	75	14

type **FK 15**

function: **NO**
open when not energized

