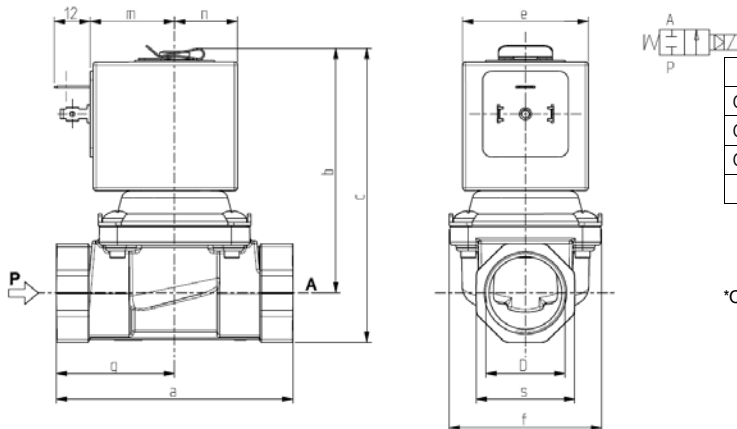




**SOLENOID VALVE**  
**2/2 - NC (Normally closed)**  
**Pilot operated hung diaphragm**  
**G3/8 ÷ 1**

**L133**



D	a	b	c	e	f	m	n	s	g
G 3/8	60	67,5	78,7	30	40,2	21,6	15*	22	25,5
G 1/2	66	67,5	78,7	30	40,2	21,6	15*	27	-
G 3/4	79	81	98	42	51	28	21	33	-
G 1	105	100	121	48,6	71	35	24,3	42	46

\*Only for ZA10B n=19,9

**► GENERAL FEATURES**

Pilot operated hung diaphragm valve with full orifice.  
 Designed for closed circuit hydraulic systems and for vessels draining.  
 Suitable to shut off liquid and gaseous fluids (verify the compatibility of fluid with materials in contact).

**► TECHNICAL FEATURES**

Maximum allowable pressure (PS) 16 bar  
 Opening time from ~100ms to ~150ms  
 Closing time from ~100ms to ~400ms  
 Fluid temperature  
 -10°C +90°C (NBR)  
 0°C +130°C (FPM)  
 -10°C +140°C (EPDM)  
 Max viscosity 5°E (~37 cStokes or mm<sup>2</sup>/s)

**► MATERIALS IN CONTACT WITH FLUID**

Body Brass  
 Sealing NBR or FPM or EPDM  
 Internal components Stainless steel and PPS (G3/8 – G1/2)  
 Stainless steel and brass (G3/4 – G1)  
 Seat Brass  
 Core tube Stainless steel  
 Shading coil Copper (except L133(\*)17)

**► COIL**

Approval  
 Continuous duty  
 Encapsulation material  
 Insulation class  
 Ambient temperature  
 Electric connections  
 Protection degree  
 Voltages DC  
 AC

ZA10A	ZA10B	Z130A	Z923A/E
UL (class F) – for UL cl.H: ZA34*		-	
ED 100%			
PPS (Polyphenilsulfure) fiberglass reinforced	PET (polyethylene terephthalate) fiberglass reinforced	PPS (Polyphenilsulfure) fiberglass reinforced	
F (155°C) on request class H (180°C)	F (140°C) on request class H (165°C)	H (165°C)	
-10°C +50°C	-10°C +60°C	-10°C +80°C	
DIN 46340 - 3 poles connectors (EN175301-803)			
IP 67 (EN 60529) with plug connector	IP 65 (EN 60529) with plug connector		
12-24V (+10% -5%)			
24V/50Hz-110V/50Hz(120V/60Hz) - 230V/50Hz (+10% -15%)			
(Other voltages and frequencies on request)			

\* only for ZA10A

Port size ISO 228	Orifice size (mm)	Δp min	Differential pressure (bar)				Kv (m <sup>3</sup> /h)	Series and type		Power absorption			Sealings	Notes	Weight (kg)
			Δp max					Valve	Coil	AC (VA)		DC			
			Gas		Liquids					Inrush	Holding				
AC	DC	AC	DC												
G3/8	12.5	0	10	3	10	3	2	L133(*)16	ZA10A	23	14	9	(*) = B (NBR)	1	0.340
			-	8	-	8		L133(*)17	ZA10B	-	-	10			
G1/2			10	3	10	3	2.2	L133(*)16	ZA10A	23	14	9	(*) = D (EPDM)	1	0.410
			-	8	-	8		L133(*)17	ZA10B	-	-	10			
G3/4	17		10	3	10	3	4,5	L133(●)07	Z130A	44	24	13	(*) = B (NBR)	-	0,790
G1	24	10	-	10	-	9	L133(●)06	Z923E	65	33	-	(*) = V (FPM)			
		-	3	-	3			Z923A	-	-	17				

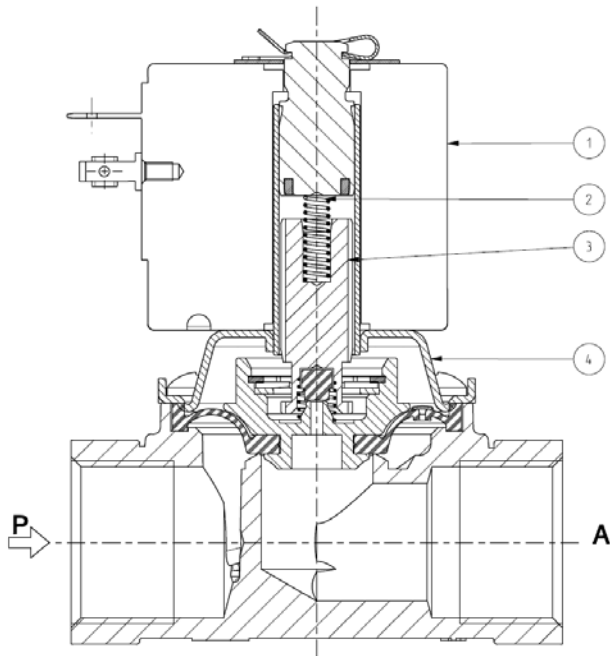
**► NOTES**

- Sealings : NBR = Nitrile-butylene elastomer FPM = Fluoro-carbon elastomer EPDM = Ethylene-propylene elastomer
- The nominal flow is guaranteed with Δp min ≥ 0,3 bar. Contact us in case of lower Δp min values.
- UL approved coil (E153691)
- 1 - IMQ CSV approval, see ZA10 datasheet for further details

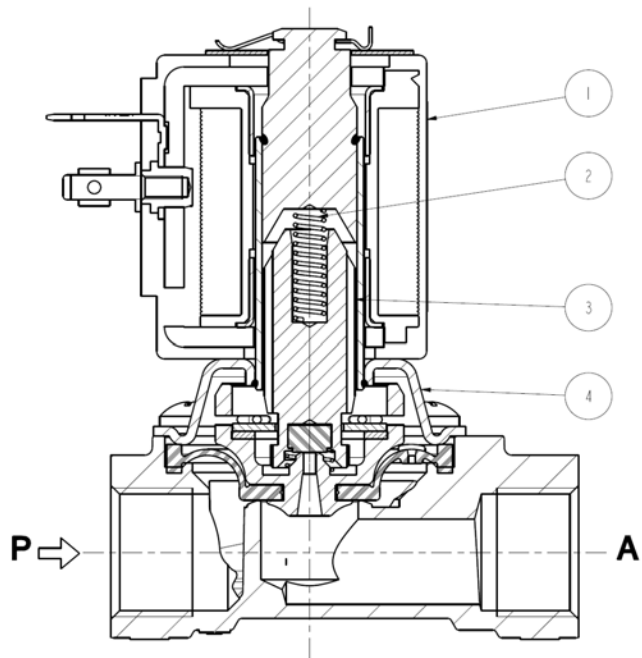
# L133

## ► SPARE PARTS

L133B06 - V06 - B07 - V07 - B16 - V16 - D16



L133B17 - V17 - D17



### Kit description

Core diaphragms kit

G 3/8 - 1/2	L133B16	G3145301
	L133V16	G3145302
	L133D16	G3145303
	L133B17	G3145201
	L133V17	G3145202
G 3/4	L133D17	G3145203
	L133V07	G2990202
G 1	L133B07	G2990201
	L133V06	G2991902
	L133B06	G2991901

### Consisting of:

Core return spring pos. 2  
Diaphragm assembly with core assembly pos. 3

Core return spring kit

G 3/8 - 1/2	L133B/V/D16/17	G434623
G 3/4	L133B-V07	G2918601
G 1	L133B-V06	G2955801

n°10 core return springs pos. 2

Guide assembly kit

G 3/8 - 1/2	L133B/V/D16	G31496
	L133B/V/D17	G31497

Guide assembly pos. 4  
Coil clip

Guide assembly

G 3/4	L133B-V07	3077701R
G 1	L133B-V06	2408202R

Guide assembly pos. 4

Coil

G 3/8 - 1/2	L133B/V/D16	ZA10A
	L133B/V/D17	ZA10B
G 3/4	L133B-V07	Z130A
G 1	L133B-V06 (AC)	Z923E
	L133B-V06 (DC)	Z923A

Coil pos. 1

## ► INSTALLATION

Solenoid valve can be mounted in any position; vertical with coil upwards preferred.

THE VALIDITY OF REPORTED DATA IS REFERRED TO THE DATE OF ISSUE. POSSIBLE UPDATES ARE AVAILABLE ON REQUEST.