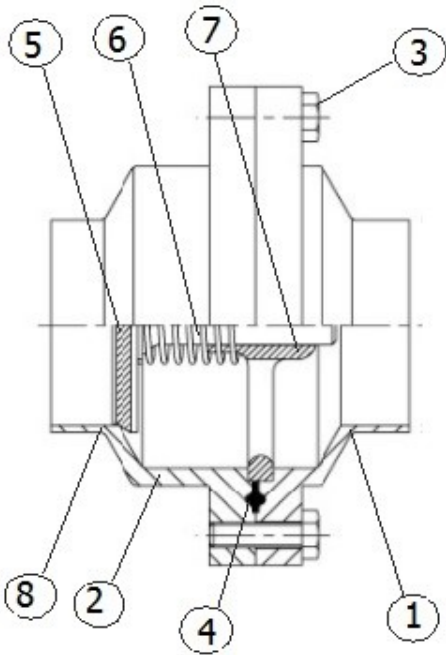


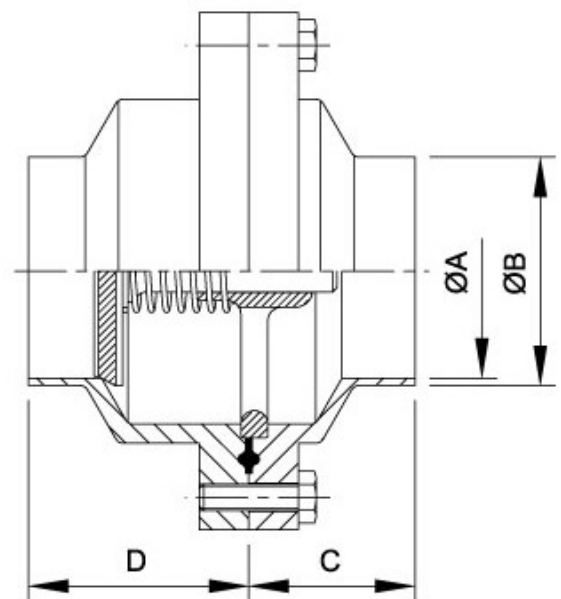
Non Return Valve

Flanged Body, Spring Return



No.	Name
1	Short Body
2	Long Body
3	Bolt
4	13 PG
5	Seal-Ring
6	Stainless Steel Spring
7	Flow Support Plate
8	Stainless Steel Disc

SIZE		øA	øB	C	D	Code
Inch	mm	mm	mm	mm	mm	
1/2"	12.7	9.4	12.7	34	23	V0095-05
3/4"	19.05	15.8	19.05	34	23	V0095-075
1"	25.4	22.2	25.4	34	48	V0095-10C
1.5"	38.1	34.9	38.1	36	48	V0095-15C
2"	50.8	47.6	50.8	36	48	V0095-20C
2.5"	63.5	60.3	63.5	36	48	V0095-25C
3"	76.2	73	76.2	36	48	V0095-30C
4"	101.6	97.6	101.6	47	54	V0095-40C

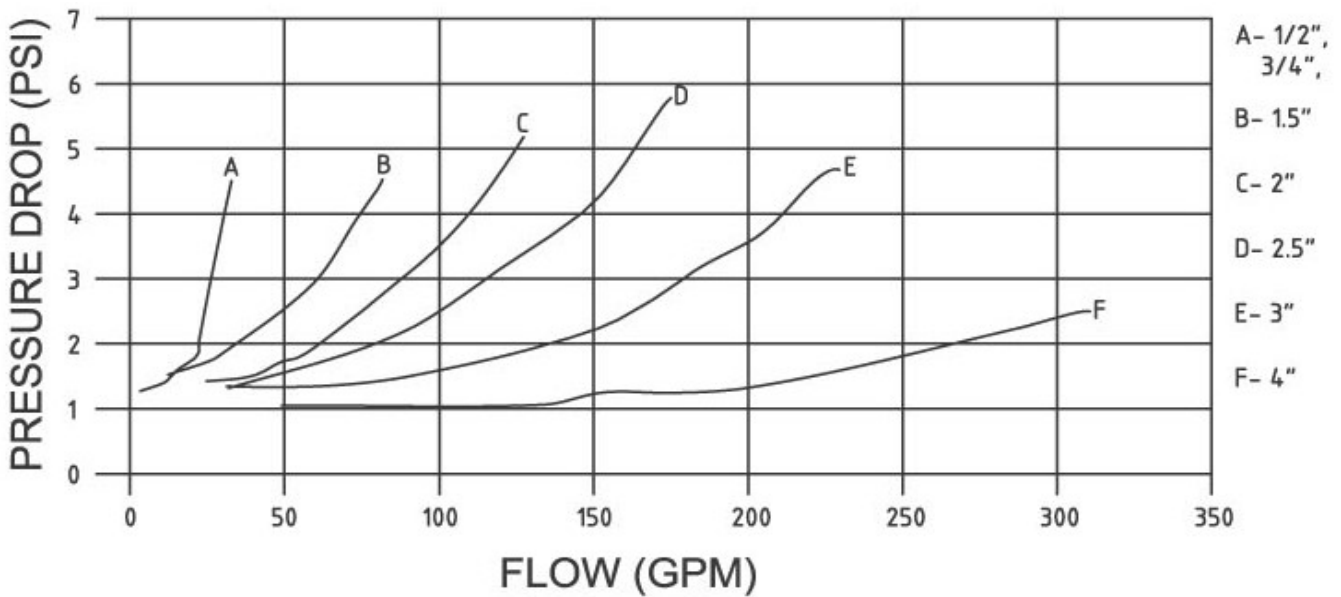




▶ *keeping industry flowing*

Non Return Valves—Hygienic

Spring Check Valve Pressure Drop



(Graph Based on water at 20° C)

Working Temperature & Pressure			
Working Pressure (Water at 20° C)	-0.9-10 Bar (-13-150 Psi)		
Working Temperatures (Dependant on Seals)	EPDM (Standard)	Silicone	Viton
	-5° C-135° C	-50° C-210° C	-10° C-210° C

Minimum Opening Pressures								
Size	1/2"	3/4"	1.0"	1.5"	2.0"	2.5"	3.0"	4.0"
Pressure (PSI)	0.5	0.5	3.0	1.6	0.6	1.3	0.8	0.9