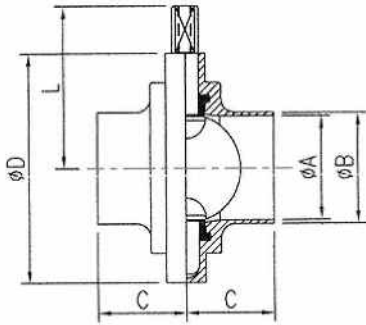


## Butterfly Valves

Hygienic Butterfly valves for use in Food, Dairy, Brewery & general hygienic process applications. Available with EPDM, Viton & Silicone Seals. A full range of end connections are available including Plain Ends for Welding, RJT, IDF, Clamp, DIN & SMS. Internally the valve body is fully machined, the Disc is polished to 0.6Ra.

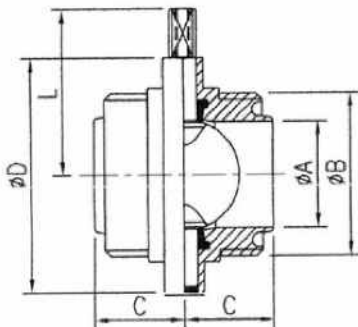


### Plain, Weld End Connections



Size		A	B	C	D	L	Code
Inch	mm	mm	mm	mm	mm	mm	
1"	25.4	22.1	25.4	34	79	61	VM2-10C
1.5"	38.1	34.6	38.1	38	85	64.3	VM2-15C
2"	50.8	47.5	50.8	40	105	74.3	VM2-20C
2.5"	65.3	60.2	63.5	40	112	77.6	VM2-25C
3"	76.2	72.2	76.2	41	125	84.3	VM2-30C
4"	101.6	97.6	101.6	44	157	101.6	VM2-40C
6"	152.4	146.8	152.4	43	214	138.9	VM2-60

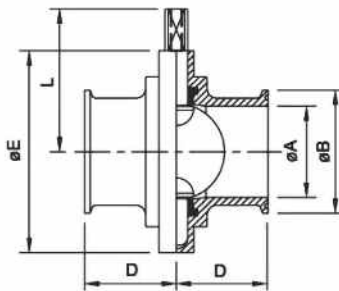
### RJT Male/Male End Connections



Size		A	B	C	D	L	Code
Inch	mm	mm	mm	mm	mm	mm	
1"	25.4	22.1	45.72 x 8T Whit	34	79	61	VM1-10C
1.5"	38.1	34.8	58.42 x 8T Whit	38	85	64.3	VM1-15C
2"	50.8	47.5	72.72 x 6T Whit	40	105	74.3	VM1-20C
2.5"	65.3	60.2	85.42 x 6T Whit	40	112	77.6	VM1-25C
3"	76.2	72.2	96.12 x 8T Whit	41	125	84.3	VM1-30C
4"	101.6	97.6	123.52 x 6T Whit	50	157	101.6	VM1-40C

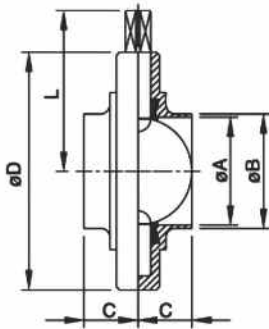
## Butterfly Valves

### BS4825 Clamp Connections



Size		A	B	D	E	L	Code
Inch	mm	mm	mm	mm	mm	mm	
1"	25.4	22.1	50.5	33	79	61	VM23-10
1.5"	38.1	34.6	50.5	33	85	64.3	VM23-15
2"	50.8	47.5	64.0	35	105	74.3	VM23-20
2.5"	65.3	60.2	77.5	35	112	77.6	VM23-25
3"	76.2	72.2	91.0	38	125	84.3	VM23-30
4"	101.6	97.6	119.0	38	157	101.7	VM23-40

### Metric Weld End Connections

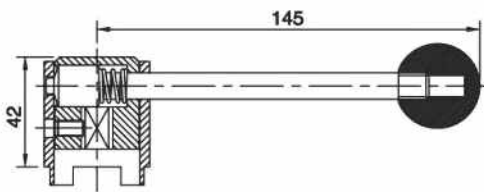


Size		A	B	C	D	L	Code
DN	mm	mm	mm	mm	mm	mm	
25	29	26	29	20	87	61	VM24-25
32	35	32	35	21	92	64.3	VM24-32
40	41	38	41	25	97	66.7	VM24-40
50	53	50	53	25	110	74.3	VM24-50
65	70	66	70	25	127	84.8	VM24-65
80	85	81	85	30	142	91.6	VM24-80
100	104	100	104	32	162	101.8	VM24-90

## Butterfly Valves

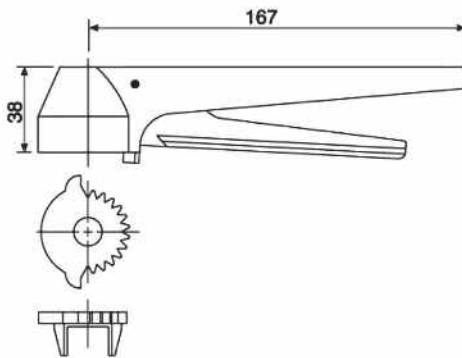
### Handle Options

#### Stainless Steel 4 Position



Full Stainless Steel 304 handle with Phenolic knob. 4 Position pull handle locates firmly in place. Handle can be easily removed for maintenance or actuator fitting.

#### Black Nylon Multi Position



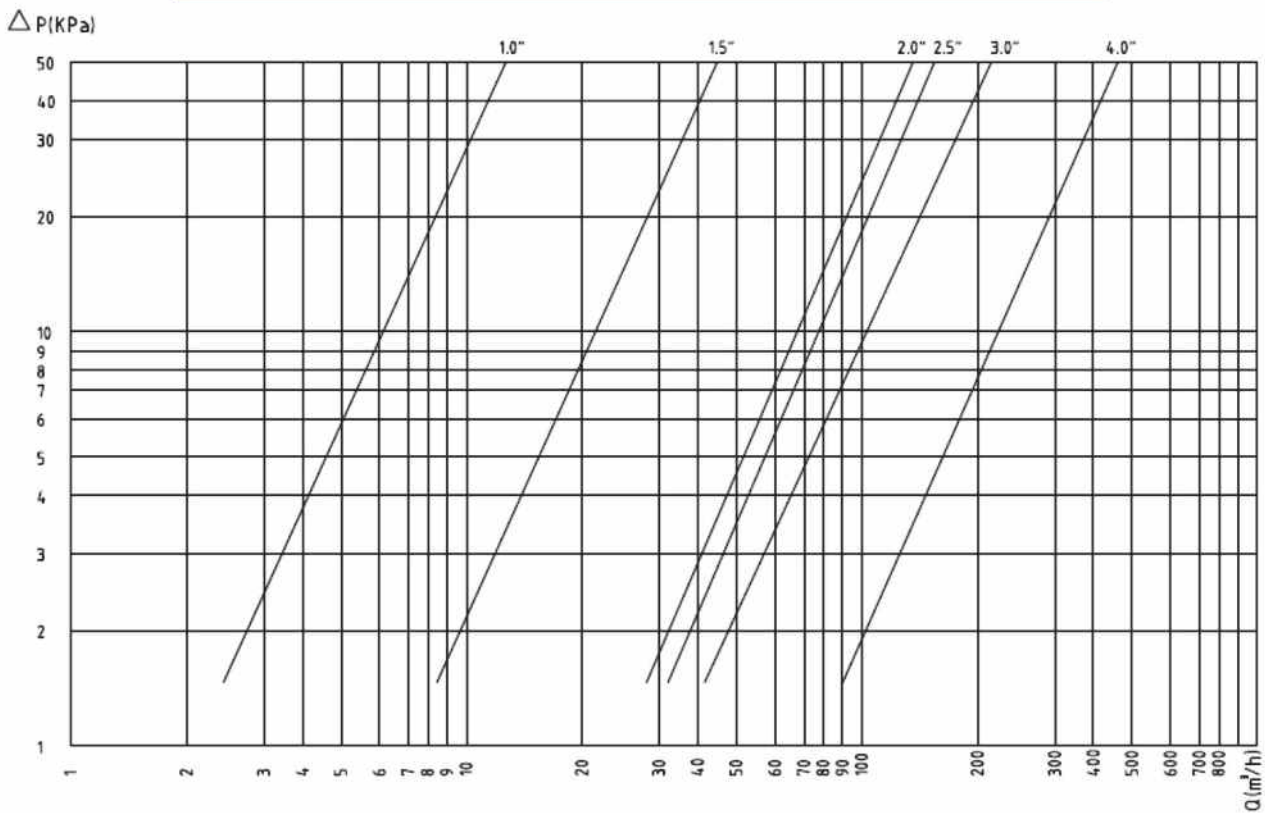
Nylon 6+ or Stainless Steel 304 gripper bar lever handle. 12 position notch plate to allow controlled positioning of valve. Handle can be modified to be lockable.

*The valves can be supplied as manual with a choice of Plastic or Stainless Steel 12 position lever handle or Stainless Steel 4 position pull handle, alternatively they can be actuated with Air open / Spring close units as standard. Actuators are also available as double acting (air open/air close). Actuators can be supplied with a top box containing a solenoid and 2 x micro switches. The actuators can also be supplied with proximity switches if a top box is not required.*

*More information is available on our butterfly valve actuation.*

## Butterfly Valves

### Capacity / Pressure drop Chart (Valve fully open)



Working Temperature & Pressure			
Working Pressure (Water at 20 °C)	-0.9-10 Bar (-13-150 Psi)		
Working Temperatures (Dependant on Seals)	EPDM ( Standard)	Silicone	Viton
	-5°C-135°C	-50°C-210°C	-10°C-210°C

Torque Operating Figures						
Torque for full open/ close	1"	1.5"	2"	2.5"	3"	4"
Kgf-m	<1	<1	1.3	1.5	2.0	3.1
1 kgf-m = 9.8 N.m = 86.8 lbf-in-7.23 lbf-ft						



## Butterfly Valves

### Operating Manual

#### Instructions:

- 1) *The Butterfly Valve is designed to accommodate different standards and operates on low torque, it is suitable for use with different handles or actuators.*
- 2) *Always ensure the valve is set in the correct position.*
- 3) *The screws on the body must be locked.*
- 4) *Always ensure the handle is securely fitted prior to operation.*
- 5) *The valve surface needs to be kept clean at all times to avoid damage to the seal.*
- 6) *Always ensure the correct seal is fitted for your application, valve seals should be changed every six months .*

#### Assembly:

- 1) *Weld end Valves must be dis-assembled prior to welding to avoid damage to the seal.*
- 2) *Inner surfaces must be kept clean during and after installation.*
- 3) *Ensure all screws are replaced and correctly tightened.*
- 4) *Always test handle operation before first use.*