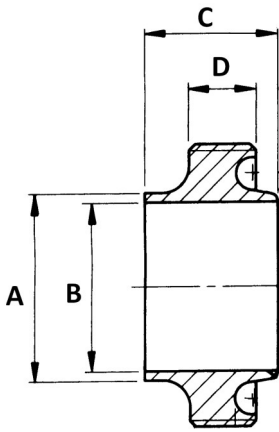


RJT Weld Fittings

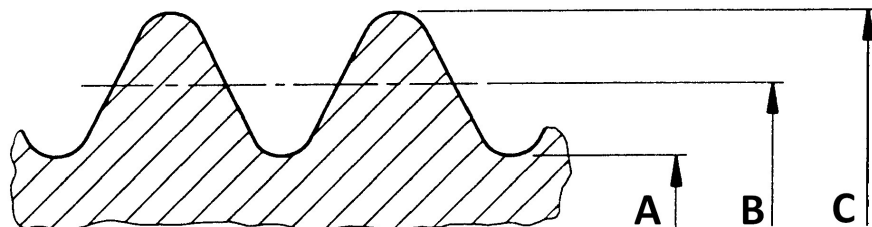
RJT Weld Male Part 316 / EN 1.4401



| Tube OD | | A | B | C | D | CODE |
|---------|-------|--------|------|------|------|--------|
| Inch | mm | mm | mm | mm | mm | |
| 1 | 25.4 | 25.65 | 22.2 | 26.3 | 14.3 | A06-10 |
| 1.5 | 38.1 | 38.35 | 34.9 | 26.3 | 14.3 | A06-15 |
| 2 | 50.8 | 51.05 | 47.6 | 26.3 | 14.3 | A06-20 |
| 2.5 | 63.5 | 63.75 | 60.3 | 26.3 | 14.3 | A06-25 |
| 3 | 76.2 | 76.45 | 73.0 | 26.3 | 14.3 | A06-30 |
| 4 | 101.6 | 101.85 | 97.6 | 26.3 | 14.3 | A06-40 |

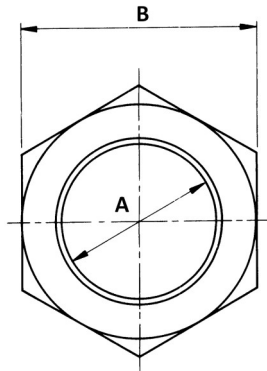
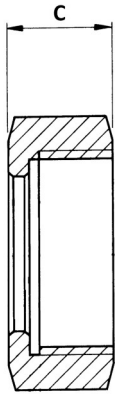
RJT Screw Threads for Male Parts

| Tube OD | | A | | B | | C | | Threads Per Inch |
|---------|-------|---------|---------|---------|---------|---------|---------|------------------|
| Inch | mm | Max | Min | Max | Min | Max | Min | |
| 1 | 25.4 | 41.656 | 41.351 | 43.688 | 43.383 | 45.720 | 45.415 | 8 |
| 1.5 | 38.1 | 54.356 | 54.051 | 56.388 | 56.083 | 58.420 | 58.115 | 8 |
| 2 | 50.8 | 67.310 | 67.005 | 70.002 | 69.697 | 72.720 | 72.415 | 6 |
| 2.5 | 63.5 | 80.010 | 79.705 | 82.702 | 82.397 | 85.420 | 85.115 | 6 |
| 3 | 76.2 | 92.710 | 92.405 | 95.402 | 95.097 | 98.120 | 97.815 | 6 |
| 4 | 101.6 | 118.110 | 117.805 | 120.802 | 120.497 | 123.520 | 123.215 | 6 |



RJT Weld Fittings

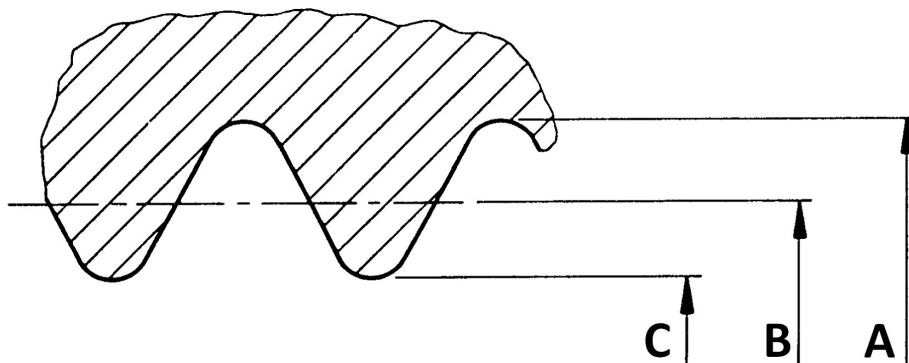
RJT Nut 304 / EN 1.4301



| Tube OD | | A | B | C | CODE |
|---------|-------|-------|-------|------|--------|
| Inch | mm | mm | mm | mm | |
| 1 | 25.4 | 33.3 | 50.8 | 22.2 | A04-10 |
| 1.5 | 38.1 | 46.0 | 65.0 | 22.2 | A04-15 |
| 2 | 50.8 | 58.7 | 79.4 | 22.2 | A04-20 |
| 2.5 | 63.5 | 71.4 | 92.1 | 22.2 | A04-25 |
| 3 | 76.2 | 84.1 | 104.8 | 22.2 | A04-30 |
| 4 | 101.6 | 109.5 | 130.2 | 22.2 | A04-40 |

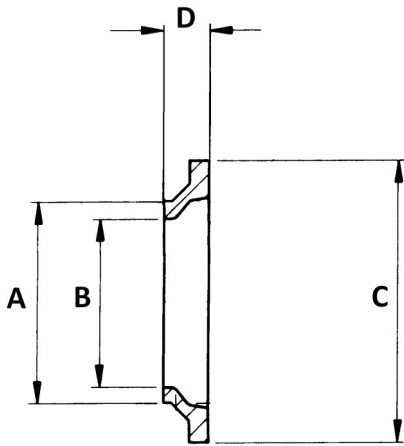
RJT Screw Threads for Nut

| Tube OD | | A | | B | | C | | Threads Per Inch |
|---------|-------|---------|---------|---------|---------|---------|---------|------------------|
| Inch | mm | Max | Min | Max | Min | Max | Min | |
| 1 | 25.4 | 46.635 | 46.330 | 44.603 | 44.298 | 43.079 | 42.266 | 8 |
| 1.5 | 38.1 | 59.335 | 59.030 | 57.303 | 56.998 | 55.779 | 54.966 | 8 |
| 2 | 50.8 | 73.635 | 73.330 | 70.917 | 70.612 | 68.733 | 67.920 | 6 |
| 2.5 | 63.5 | 86.335 | 86.030 | 83.617 | 83.312 | 81.433 | 80.620 | 6 |
| 3 | 76.2 | 99.035 | 98.730 | 96.317 | 96.012 | 94.133 | 93.320 | 6 |
| 4 | 101.6 | 124.435 | 124.130 | 121.717 | 121.412 | 119.533 | 118.720 | 6 |



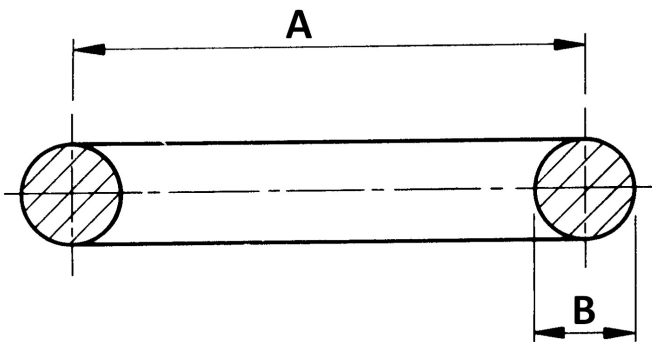
RJT Weld Fittings

RJT Weld Liner 316 / EN 1.4401



| Tube OD | | A | B | C | D | CODE |
|---------|-------|-------|------|-------|------|--------|
| Inch | mm | mm | mm | mm | mm | |
| 1 | 25.4 | 25.7 | 22.2 | 41.3 | 12.7 | A08-10 |
| 1.5 | 38.1 | 38.4 | 34.9 | 54.0 | 12.7 | A08-15 |
| 2 | 50.8 | 51.1 | 47.6 | 66.7 | 12.7 | A08-20 |
| 2.5 | 63.5 | 63.8 | 60.3 | 79.4 | 12.7 | A08-25 |
| 3 | 76.2 | 76.5 | 73.0 | 92.1 | 12.7 | A08-30 |
| 4 | 101.6 | 101.9 | 97.6 | 117.5 | 12.7 | A08-40 |

RJT Joint Ring



| Tube OD | | A | B | NITRILE |
|---------|-------|-------|-----|---------|
| Inch | mm | mm | mm | CODE |
| 1 | 25.4 | 33.3 | 6.6 | A100-10 |
| 1.5 | 38.1 | 46.0 | 6.6 | A100-15 |
| 2 | 50.8 | 58.7 | 6.6 | A100-20 |
| 2.5 | 63.5 | 71.4 | 6.6 | A100-25 |
| 3 | 76.2 | 84.1 | 6.6 | A100-30 |
| 4 | 101.6 | 109.5 | 6.6 | A100-40 |

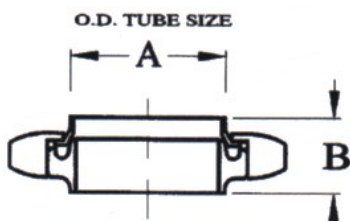
NOTE: The standard RJT Joint Ring is supplied in Nitrile, other materials available include EPDM, Viton, Silicone & PTFE.

ZOEDALE

▶ *keeping industry flowing*

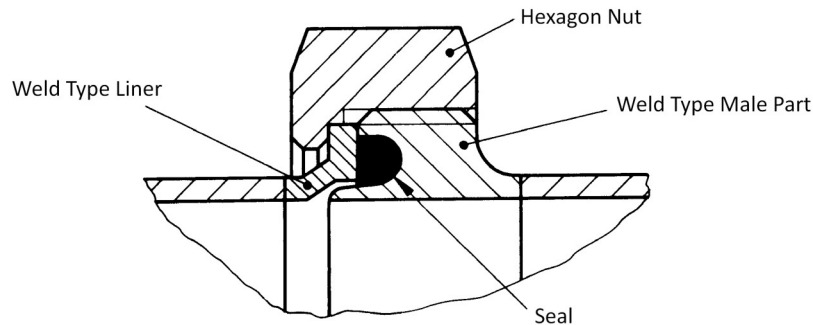
RJT Weld Fittings

RJT Weld Union 316 / EN 1.4401

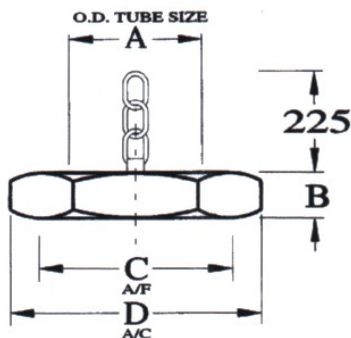


| SIZE | | DIM B | CODE |
|--------|-------|-------|--------|
| Inch | mm | mm | |
| 1" | 25.4 | 37 | A02-10 |
| 1 1/2" | 38.1 | 34 | A02-15 |
| 2" | 50.8 | 34 | A02-20 |
| 2 1/2" | 63.5 | 35 | A02-25 |
| 3" | 76.2 | 36 | A02-30 |
| 4" | 101.6 | 45 | A02-40 |

RJT Weld Union Cross Section



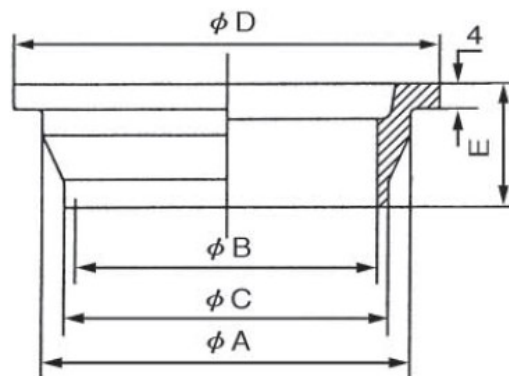
RJT Blank Nut & Chain 316 / EN 1.4401



| SIZE | | DIM B | DIM C | DIM D | CODE |
|--------|-------|-------|-------|-------|---------|
| Inch | mm | mm | mm | mm | mm |
| 1" | 25.4 | 22 | 51 | 58 | A102-10 |
| 1 1/2" | 38.1 | 22 | 65 | 74 | A102-15 |
| 2" | 50.8 | 22 | 79 | 90 | A102-20 |
| 2 1/2" | 63.5 | 22 | 92 | 104 | A102-25 |
| 3" | 76.2 | 22 | 105 | 120 | A102-30 |
| 4" | 101.6 | 22 | 130 | 150 | A102-40 |

RJT Weld Fittings

RJT Machined Liner 316 / EN 1.4401



| SIZE | | DIM A | DIM B | DIM C | DIM D | DIM E | CODE |
|--------|-------|-------|-------|-------|-------|-------|---------|
| Inch | mm | mm | mm | mm | mm | mm | |
| 1" | 25.4 | 32.5 | 22.2 | 25.7 | 41.3 | 19.5 | A109-10 |
| 1 1/2" | 38.1 | 45.2 | 34.9 | 38.4 | 54.0 | 19.5 | A109-15 |
| 2" | 50.8 | 57.9 | 47.6 | 51.1 | 66.7 | 19.5 | A109-20 |
| 2 1/2" | 63.5 | 70.6 | 60.3 | 63.8 | 79.4 | 19.5 | A109-25 |
| 3" | 76.2 | 83.3 | 73.0 | 76.5 | 92.1 | 19.5 | A109-30 |
| 4" | 101.6 | 108.7 | 97.6 | 101.9 | 117.5 | 19.5 | A109-40 |