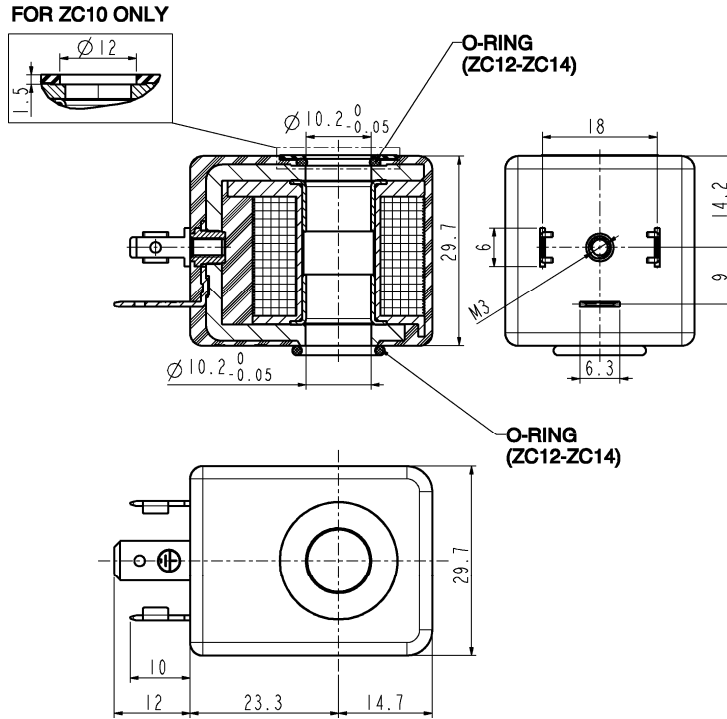




COIL

Spade terminals (DIN 46340)

ZC



► GENERAL FEATURES

Complying with 73/23/EC (Low Voltage), 2004/108/EC (EMC) directives and relative modification.
Complying with VDE 0580 standard (100% inspected).

► ELECTRIC CONNECTIONS

Spade terminals 6,3 x 0,8 (DIN46340), 2 line + 1 earth terminals.
3 poles plug connector (DIN 43650).

► TECHNICAL FEATURES

	ZC10	ZC12	ZC14
<i>Encapsulation material</i>	PA (Polyamide) fiberglass reinforced	PET (polyethylene-terephthalate) fiberglass reinforced	PET (polyethylene-terephthalate) fiberglass reinforced
<i>Insulation class</i>	F (155°C)	F (155°C)	H (180°C)
<i>Ambient temperature</i>	-10°C +60°C	-10°C +60°C	-10°C +75°C
<i>Continuous duty</i>	ED 100%		
<i>Protection degree</i>	IP 65 (EN 60529) with plug connector	IP 67 (EN 60529) with plug connector	IP 67 (EN 60529) with plug connector
<i>Voltages DC</i>	12-24V (+10% -5%)		
<i>AC</i>	24V/50-60Hz - 115V/50Hz - 230V/50-60Hz (+10% -15%)		
	(Other voltages and frequencies on request).		

TYPE	POWER ABSORPTION				NOTES	WEIGHT (kg)
	AC			DC		
	Inrush	Holding				
VA	VA	W	W			
ZC10A	10	6	3,5	5,5	1	0,11
ZC12A						
ZC14A						
ZC10C	7	3,5	2	3,5		
ZC12C						
ZC14C						

► NOTES

1 – ZC12 and ZC14 coils fitted with sealing gaskets underneath and on the upper part (see drawing)

THE VALIDITY OF REPORTED DATA IS REFERRED TO THE DATE OF ISSUE. POSSIBLE UPDATES ARE AVAILABLE ON REQUEST

08121203