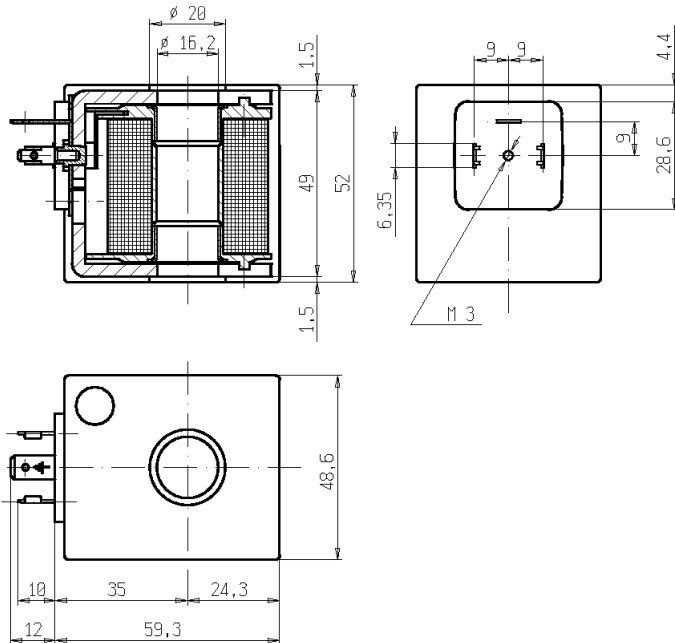




# COIL

## Spade terminals (DIN46340)

# Z923



### ► GENERAL FEATURES

Complying with 2014/35/EC directive.  
Product in accordance with the RoHS 2 directive.  
100% inspected.

### ► ELECTRIC CONNECTIONS

Spade terminals 6,3 x 0,8 (DIN46340), 2 line + 1 earth terminals.  
3 poles plug connector (EN175301-803)

### ► ENCAPSULATION MATERIALS

PPS (Polyphenilsulfure) fiberglass reinforced

### ► TECHNICAL FEATURES

*Duty*

**Z923A - Z923E:** ED 100%

**Z923G:** ED 60%

*Insulation class*

H (165°C)

*Ambient temperature*

-10°C +80°C

*Protection degree*

IP 65 (EN 60529) with plug connector

*Voltages DC*

12-24V (+10% -5%)

*AC*

24V/50Hz - 110V/50Hz (120V/60Hz) -

230V/50Hz (+10% -15%)

(Other voltages and frequencies on request).

TYPE	POWER ABSORPTION			NOTES	WEIGHT (kg)
	AC (VA)		DC (W)		
	Inrush	Holding			
<b>Z923A</b>	50	27	17	-	0,520
<b>Z923E</b>	65	33	21	-	
<b>Z923G</b>	150	46	-	1	

### ► NOTES

1- Discontinuous duty ED 60%.

THE VALIDITY OF REPORTED DATA IS REFERRED TO THE DATE OF ISSUE. POSSIBLE UPDATES ARE AVAILABLE ON REQUEST.

1404/1606