

BALL VALVES

Spartan Split body - manual valves

Carbon steel PN16-40 ANSI150-300 - manual version

features

features & benefits

dimensions, materials and codes



Features

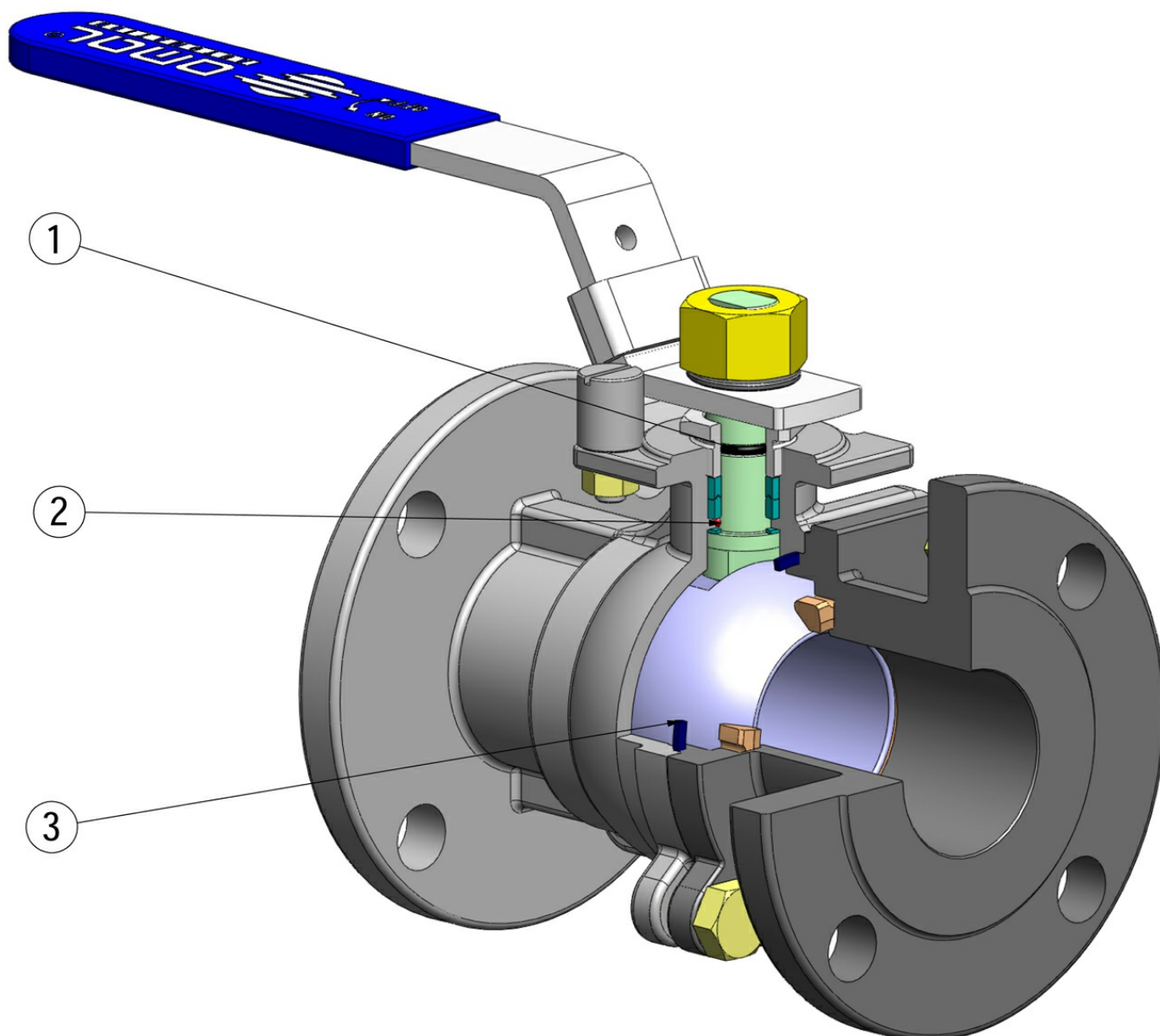
Standard features

- Floating ball, full bore
- Soft-seat seal PTFE+15% glass filled
- Standard for connecting flanges: EN 1092-1; ASME B16.5
- Operating temperature: -20 °C/+150 °C
- Pressure class: PN16-40; ANSI 150-300
- Intercepted fluid: air, water, gas, petroleum and petrochemical products.
- Antistatic device EN12266-2
- Stem seal: PTFE-ring packing
- Additional seal on stem with FKM O-ring
- Anti Blow-out stem
- Superficial treatment: bluing

Certifications

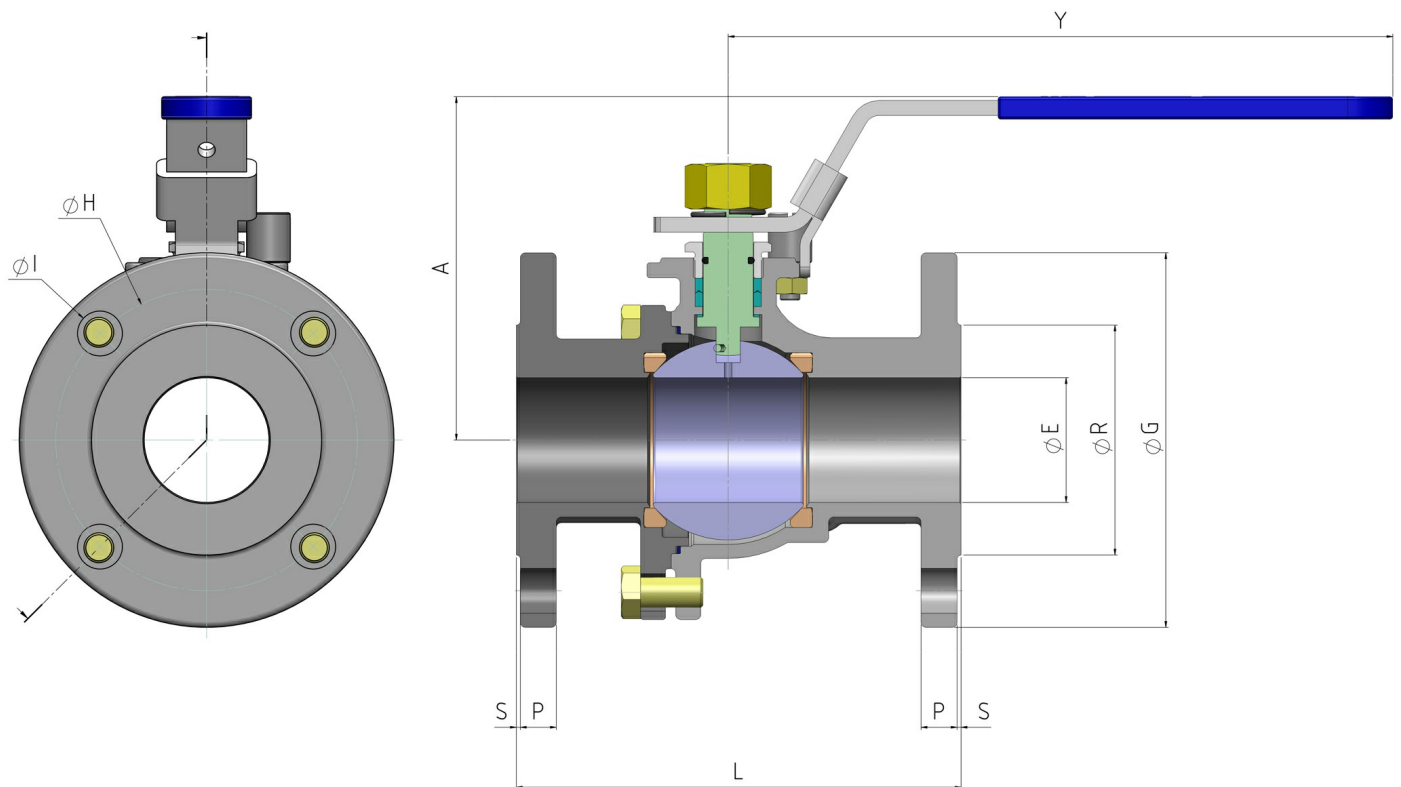
- In compliance with European Directive 97/23 EC PED
- In compliance with ATEX 94/9/CE Directive
- FIRE SAFE: API 607 - EN ISO 10497

Features & Benefits



FEATURES & BENEFITS		
1	Additional Oring on the stem	To grant additional tightness towards outside
2	Antistatic device (electrical continuity between ball, stem and body)	Static electricity is avoided which can cause sparks and fire in an inflammable/explosive environment
		Safety of the contact is granted throughout the entire life of the valve
3	Stretch Graphite seal	Tightness towards outside is granted, independently by the thermal excursions to which the valve is subjected
	CASTED line	Lighter Weight
	"Fire safe" Certificate	Guarantees the tightness of the valve also in case of fire
	ATEX Certificate	Installation is possible in a potential explosive environment
	PED Certificate	Compliance with European Safety Standards for Pressure Equipment

Dimensions, materials and codes



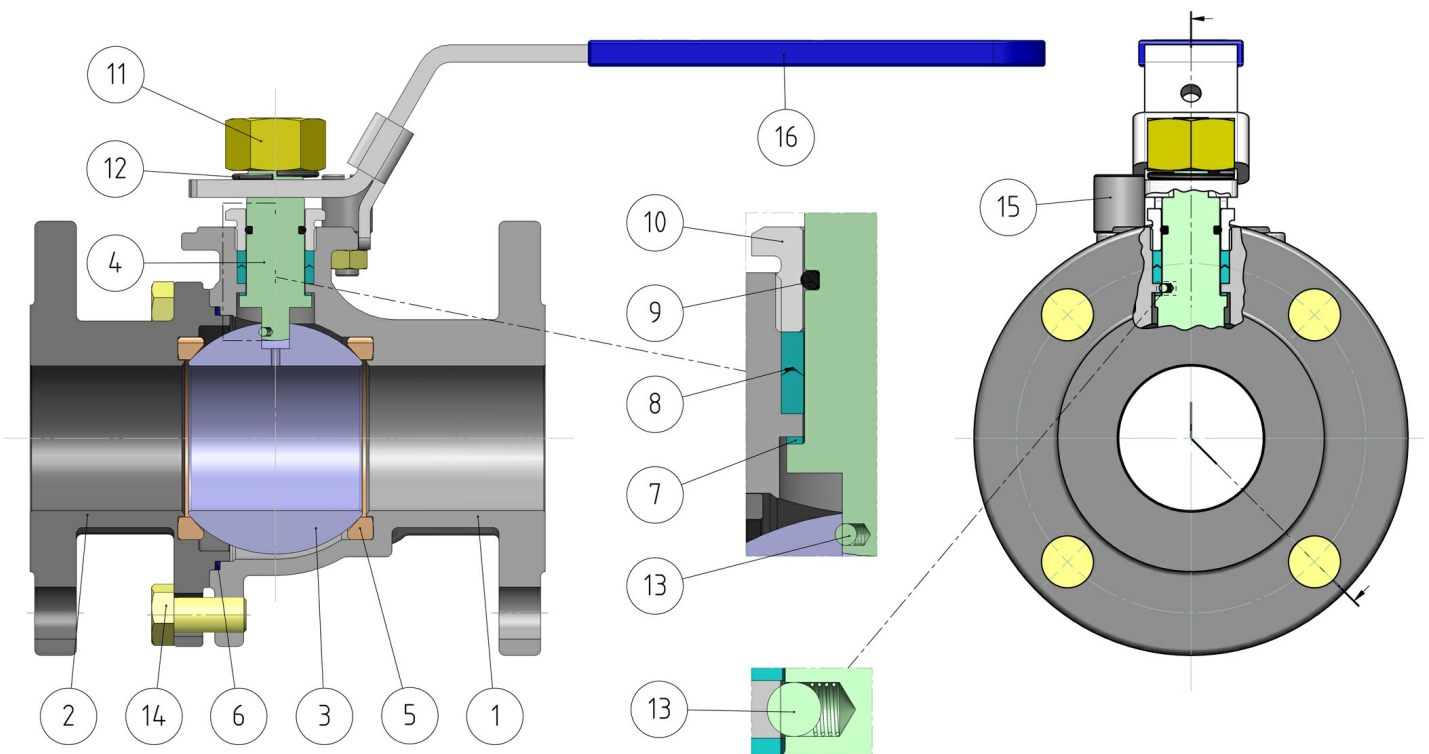
DIMENSIONS TABLE AND CODES

Size	PN/ANSI	Code Carbon Steel A216 WCB	ϕE	A	Y	ϕG	ϕR	S	P	ϕH	N° Holes	ϕI	Kg	L
DN 15	PN16-40	LSP04F03CC	15	85,7	169	95	45	2	14	65	4	14	2,3	115 (1)
DN 15	ANSI 150	LSP04104CC	15	85,7	169	89	35	1,6	9,6	60,5	4	16	1,8	108 (2)
DN 15	ANSI 300	LSP04204CC	15	85,7	169	95	35	1,6	12,7	66,5	4	16	2,3	140 (2)
DN 20	PN16-40	LSP05F03CC	20	87,5	169	105	58	2	16	75	4	14	2,9	120 (1)
DN 20	ANSI 150	LSP05104CC	20	88,5	169	99	43	1,6	9,6	70	4	16	2	117 (2)
DN 20	ANSI 300	LSP05204CC	20	88,5	169	117	43	1,6	14,2	82,5	4	19	3,2	152 (2)
DN 25	PN16-40	LSP06F03CC	25	103	205	115	68	2	16	85	4	14	3,8	125 (1)
DN 25	ANSI 150	LSP06104CC	25	103	205	108	51	1,6	9,7	79	4	16	3	127 (2)
DN 25	ANSI 300	LSP06204CC	25	103,3	205	124	51	1,6	15,9	89	4	19	4,4	165 (2)
DN 32	PN16-40	LSP07F03CC	32	108	205	140	78	2	16	100	4	18	5,3	130 (1)
DN 32	ANSI 150	LSP07104CC	32	108	205	117	63,5	1,6	11,1	88,9	4	16	4	140 (2)
DN 32	ANSI 300	LSP07204CC	32	108	205	133	64	1,6	17,5	98,5	4	19	5,7	178 (2)
DN 40	PN16-40	LSP08F03CC	38	126	266	150	88	3	15	110	4	18	6,9	140 (1)
DN 40	ANSI 150	LSP08104CC	38	128	266	127	73,2	1,6	12,7	98,6	4	16	5,8	165 (2)
DN 40	ANSI 300	LSP08204CC	38	128,4	266	156	73	1,6	19	115	4	22	8,6	190 (2)
DN 50	PN16-40	LSP09F03CC	50	133	266	165	102	3	17	125	4	18	9,4	150 (1)
DN 50	ANSI 150	LSP09104CC	50	136	266	152	92	1,6	14,4	120,7	4	19,1	8,4	178 (2)
DN 50	ANSI 300	LSP09204CC	50	135,9	266	165	92	1,6	20,8	127	4	19	10,9	216 (2)

DN 65	PN16	LSP10E03CC	63	142	298	185	122	3	15	145	8	18	13,1	170 (1)
DN 65	ANSI 150	LSP10104CC	65	148	298	178	104,6	1,6	16	139	4	19,1	13,2	190 (2)
DN 65	ANSI 300	LSP10204CC	63	147,6	298	190	105	1,6	23,8	149	4	22	16,7	241 (2)
DN 80	PN16-40	LSP11F03CC	76	165	390	200	138	3	21	160	8	18	17,8	180 (1)
DN 80	ANSI 150	LSP11104CC	80	168	390	190	127	1,6	17,5	152	4	19,1	17,3	203 (2)
DN 80	ANSI 300	LSP11204CC	76	167,5	390	210	127	1,6	26,9	168	4	22	23,9	282 (2)
DN100	PN16	LSP12E03CC	96	183	390	220	158	3	17	180	8	18	25	190 (1)
DN100	ANSI 150	LSP12104CC	100	183	390	228	157,2	1,6	22,4	190,5	8	19,1	27,8	229 (2)
DN100	ANSI 300	LSP12204CC	100	182,5	390	254	157	1,6	30,2	200	8	22	38,4	305 (2)

(1) EN 558 TAB.2 COL.14/DIN 3202-1 F4

(2) ANSI B16.10



MATERIALS - B.O.M.

N°	Description	Carbon Steel version
1	Body	ASTM A216 WCB
2	Connector	
3	Ball	ASTM A351 CF8M (1.4408/GX5CrNiMo19-12-2)
4	Stem	ASTM A276 316
5	Seats	PTFE + 15% GLASS FILLED
6	Body-connector gasket	GRAPHITE
7	Stem lower sealing	PTFE
8	Chevron pack	
9	Stem o-ring	FKM

10	Gland Nut	304 s.s.
11	Stem Nut	
12	Spring lock washer	
13	Antistatic device	STAINLESS STEEL
14	Bolt	304 s.s.
15	Stop pin	
16	Lever	STAINLESS STEEL