

5/2-directional valve, Series 740

- 5/2
- Qn = 700-950 l/min
- Pipe connection
- Compressed air connection output : Ø 8x1 Ø 10x1
- Electrical connection : Plug, EN 175301-803, form A
- -25 °C cold-resistant
- Can be assembled into blocks
- Manual override : without detent, with detent
- single solenoid
- with air spring return
- Pilot : Internal



Version	Diaphragm poppet valve
Activation	Electrically
Pilot	Internal
Sealing principle	Soft sealing
Blocking principle	Single base plate principle Plate principle
ATEX class G	II 3G3D EEX nA IIB T4 IP65 T125 °C X
Working pressure min./max.	1,5 ... 10 bar
Ambient temperature min./max.	-25 ... 50 °C
Medium temperature min./max.	-25 ... 50 °C
Medium	Compressed air
Max. particle size	50 µm
Oil content of compressed air	0 ... 5 mg/m ³
Nominal flow Qn	See table below
Connector standard	EN 175301-803:2006
Protection class with connection	IP65
Reverse polarity protection	Protected against polarity reversal
Compatibility index	See table below
Duty cycle	100 %
Typ. switch-on time	17 ms
Typ. switch-off time	24 ms
Mounting on manifold strip	PRS strip
Weight	See table below

Part No.	Power consumption	Holding power	Holding power	Switch-on power
	DC	AC 50 Hz	AC 60 Hz	AC 50 Hz
5727450220	2,1 W	-	-	-
5727450420	2,1 W	-	-	-
5727405280	2,1 W	4,18 VA	3,3 VA	6,6 VA
5727405480	2,1 W	4,18 VA	3,3 VA	6,6 VA
5727455280	2,1 W	4,18 VA	3,3 VA	6,6 VA
5727455480	2,1 W	4,18 VA	3,3 VA	6,6 VA
5727405302	-	-	-	-
5727455302	-	-	-	-

Part No.	Switch-on power	Nominal flow Qn	Compatibility index	Throttle
	AC 60 Hz			
5727400220	-	700 l/min	13 14	with throttle
5727400420	-	700 l/min	13 14	with throttle
5727420220	-	700 l/min	13 14	with throttle
5727450220	-	950 l/min	14 14	with throttle
5727450420	-	950 l/min	13 14	with throttle
5727405280	5,5 VA	700 l/min	14	with throttle
5727405480	5,5 VA	700 l/min	14	with throttle
5727455280	5,5 VA	950 l/min	14	with throttle
5727455480	5,5 VA	950 l/min	14	with throttle
5727405302	-	700 l/min	14	with throttle
5727455302	-	950 l/min	14	with throttle

Part No.	Valve plug connector	basic valve with electrical connector
5727400220	With valve plug connector	-
5727400420	Without valve plug connector	-
5727420220	With valve plug connector	-
5727450220	With valve plug connector	-
5727450420	Without valve plug connector	-
5727405280	With valve plug connector	-
5727405480	Without valve plug connector	-
5727455280	With valve plug connector	-
5727455480	Without valve plug connector	-
5727405302	-	Basic valve without coil
5727455302	-	Basic valve without coil

Part No.	Reverse polarity protection	ATEX	Weight
5727400220	Protected against polarity reversal	-	0,339 kg
5727400420	Protected against polarity reversal	-	0,317 kg
5727420220	Protected against polarity reversal	ATEX	0,335 kg
5727450220	Protected against polarity reversal	-	0,341 kg
5727450420	Protected against polarity reversal	-	0,318 kg
5727405280	Protected against polarity reversal	-	0,335 kg
5727405480	Protected against polarity reversal	-	0,311 kg
5727455280	Protected against polarity reversal	-	0,336 kg
5727455480	Protected against polarity reversal	-	0,311 kg
5727405302	-	ATEX optional	0,221 kg

Part No.	Reverse polarity protection	ATEX	Weight
5727455302	-	ATEX optional	0,22 kg

Nominal flow Qn at 6 bar and $\Delta p = 1$ bar, MO = Manual override

Technical information

The min. control pressure must be adhered to, since otherwise faulty switching and valve failure may result!

The pressure dew point must be at least 15 °C under ambient and medium temperature and may not exceed 3 °C .

The oil content of compressed air must remain constant during the life cycle.

Use only the approved oils from AVENTICS. Further information can be found in the "Technical information" document (available in the MediaCentre).

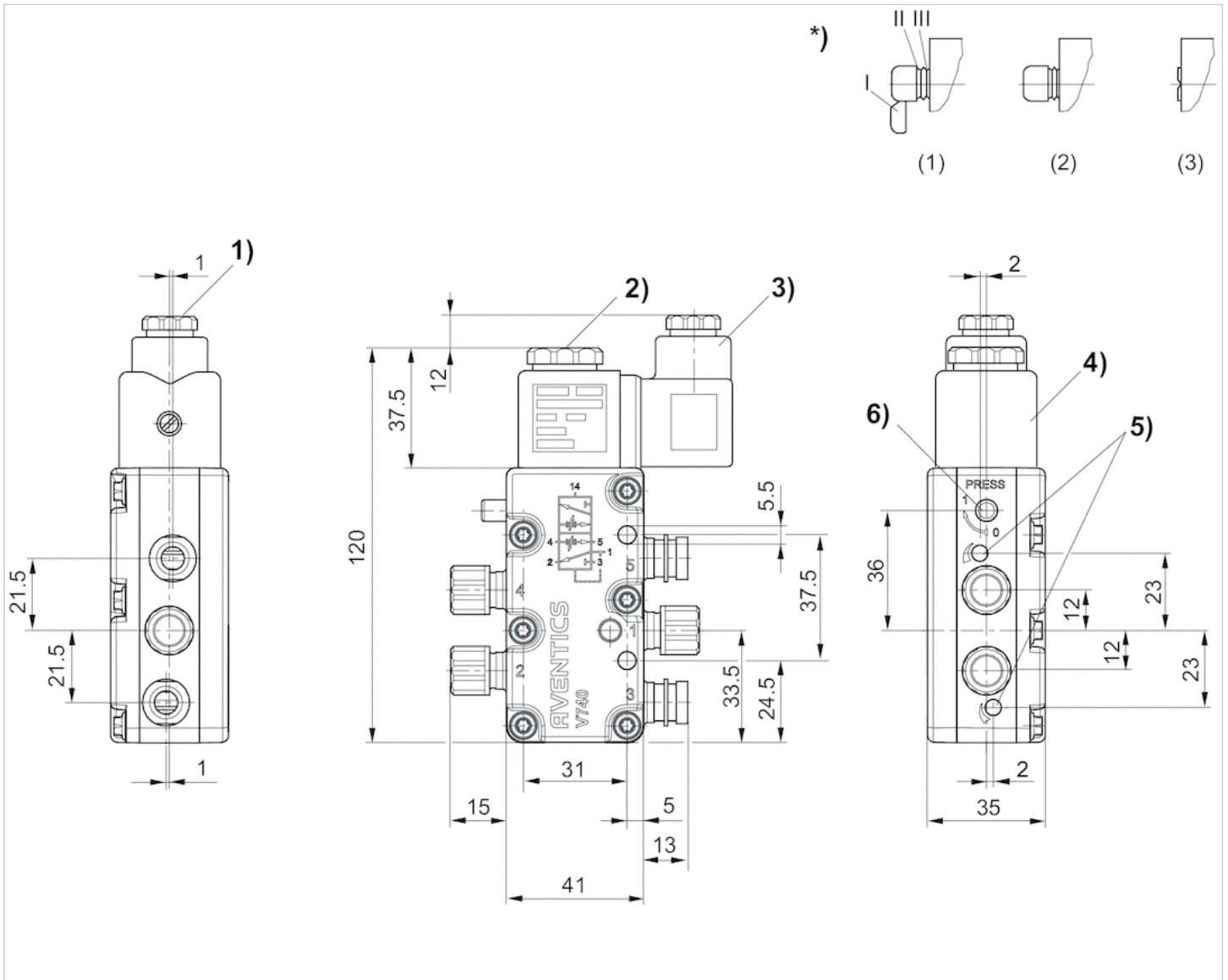
ATEX optional: ATEX version can be produced by combining the basic valve without coil with an ATEX coil. ATEX ID: see ATEX coils catalog page.

Technical information

Material	
Housing	Polyarylamide Polyoxymethylene
Seals	Acrylonitrile butadiene rubber

Dimensions

Dimensions



1) Gland fitting M16x1.52) M5 internal thread accessible under cap 3) Valve plug connector can be rotated at 90° intervals 4) Coil can be plugged at 45° intervals 5) Flow control screw for exhausts 5 (R) and 3 (S) 6) Manual override and position indicator*) : Manual override: Manual actuation: (1) with detent - push and turn into position 1 (2) without detent - remove segment I - push only Actuation with tool: (3) with detent - remove segments up to II - push with tool and turn into position 1