

Electric Actuated Valves

E900 – 2 Way Electric Actuated Ball Valve



General Features

2 Way 3 Piece Electric Actuated Ball Valve

Rated IP66

Working pressure 1000 psi

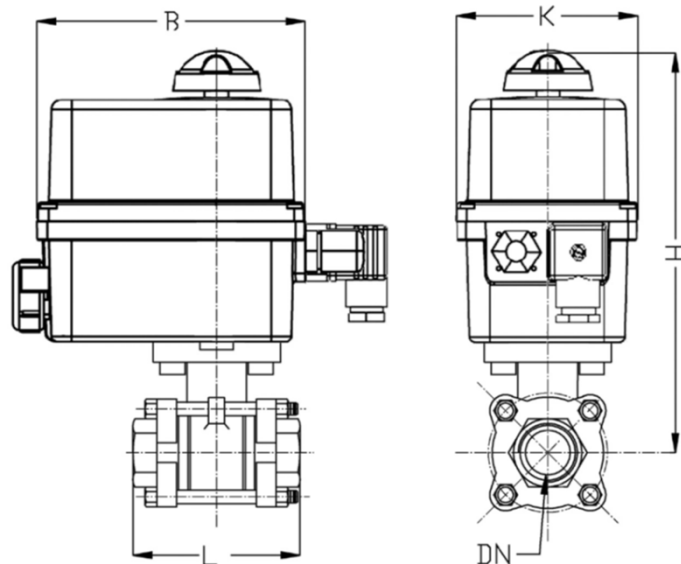
Working temperature from -20°C to +200°C for fluids

Fluid range: water, gas and corrosive media

Threaded ends as per UNI/ISO 228 Rp (BSPP)

Valve Materials

Ball	Chromium plated brass
Body	PTFE
Top seal	PTFE
Ball seat	PTFE
Shaft	Nickel plated brass
O-rings	FKM



Additional Features

(Available on request)



ATEX



Battery Backup



Positioning

Overall Dimensions

Model	DN mm	Size	H mm	K mm	B mm	L mm	Weight kg
E900H003*	10	3/8"	194	92	178	75	1.7
E900H004*	15	1/2"	194	92	178	75	1.7
E900H005*	20	3/4"	200.5	92	178	75	1.9
E900H006*	25	1"	210	92	178	90	2.4
E900H007*	32	1 1/4"	215	92	178	110	3.1
E900H008*	40	1 1/2"	247	128	193	120	5.1
E900H009*	50	2"	254	128	193	140	6.1
E900H010*	65	2 1/2"	276	128	193	185.5	10.4
E900H011*	80	3"	367	170	170	205	17.4

* 'LP' - Low Voltage 12-48VDC 15-30VAC

* 'HP' - High Voltage 100-240VAC

Actuator set for divert service unless otherwise requested