

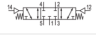
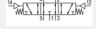

# 5/3-directional valve, Series TC15

- Qn = 1300 l/min
- Compressed air connection output G 1/4
- Pipe connection



Version	Spool valve, positive overlapping
Activation	Pneumatically
Pilot	External
Sealing principle	Soft sealing
Flow rate value Qn	1300 l/min
Working pressure min./max.	-0,9 ... 10 bar
Control pressure min./max.	3 ... 10 bar
Ambient temperature min./max.	-10 ... 50 °C
Medium temperature min./max.	-10 ... 50 °C
Medium	Compressed air
Max. particle size	5 µm
Oil content of compressed air	0 ... 5 mg/m <sup>3</sup>
Mounting on manifold strip	P-strip
Mounting screw tightening torque	2,5 Nm
Weight	0,203 kg

## Technical data

Part No.			Compressed air connection
			Input
0820259001		closed center	G 1/4
0820259002		exhausted center	G 1/4
0820259003		pressurized center	G 1/4

Part No.	Compressed air connection	Compressed air connection
	Output	Exhaust
0820259001	G 1/4	G 1/4
0820259002	G 1/4	G 1/4
0820259003	G 1/4	G 1/4

Part No.	Compressed air connection	Flow conductance	Flow conductance
	Pilot control exhaust	b	C-value
0820259001	M5	0,31	5,9 l/(s*bar)
0820259002	M5	0,31	5,9 l/(s*bar)
0820259003	M5	0,31	5,9 l/(s*bar)

## Technical information

The min. control pressure must be adhered to, since otherwise faulty switching and valve failure may result!

The pressure dew point must be at least 15 °C under ambient and medium temperature and may not exceed 3 °C .

The oil content of compressed air must remain constant during the life cycle.

Use only the approved oils from AVENTICS. Further information can be found in the "Technical information" document (available in the MediaCentre).

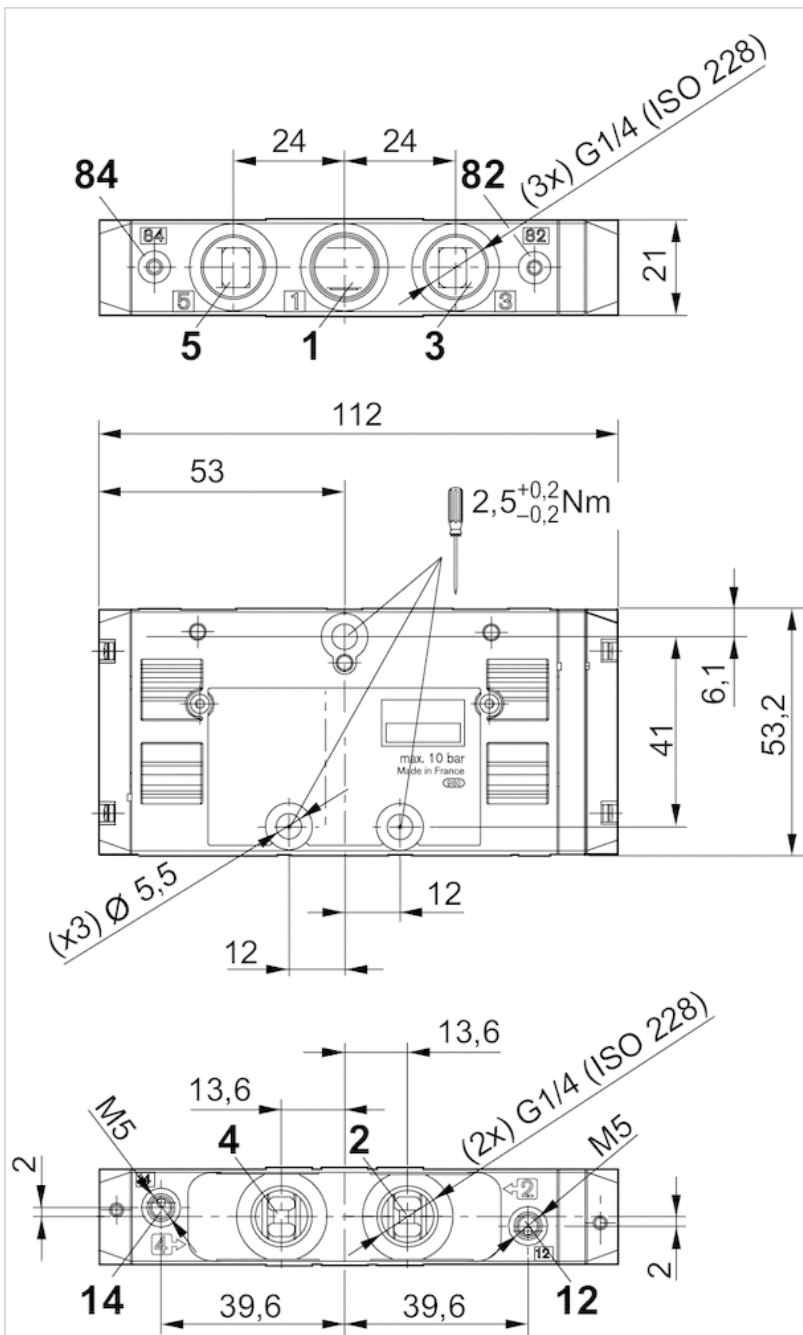
## Technical information

### Material

Housing	Polyamide, fiber-glass reinforced
Seals	Acrylonitrile butadiene rubber
Front plate	Polyamide, fiber-glass reinforced
Threaded bushing	Brass Die cast zinc, chrome-plated nickel-plated

## Dimensions

### Dimensions



Diagrams

